

## Disc technical data

**Axle** Front

**Diameter**  
360 mm

**Overall height (A)**  
53 mm

**Centring diameter (B)**  
72 mm

**Number of holes (C)**  
5

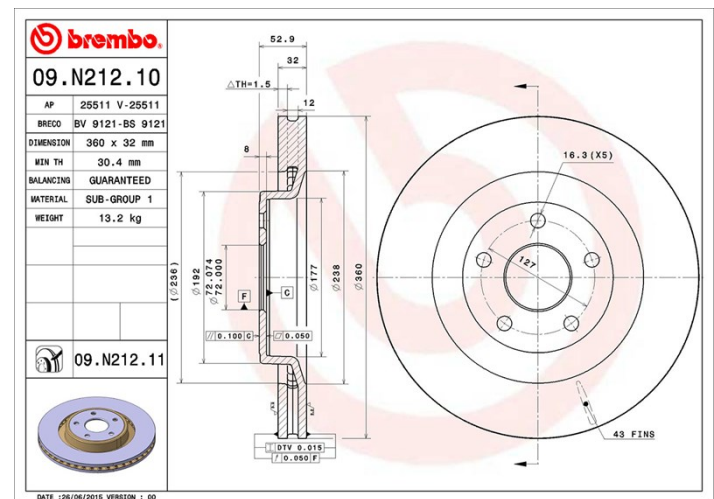
**Thickness (TH)**  
32 mm

**Minimum thickness**  
30,4 mm

**Tightening torque**   
Nm

**Unit per box**  
1

**EANCode**  
8020584031506



## Brand part numbers

**Brembo**  
09.N212.11

**AP**  
25511 V

**Breco**  
BV 9121

## Technical specifications

### UV Disc

The UV coating process provides a superior corrosion resistance and full disc protection.



## Compatible vehicles

### JEEP

Model	Type	Kw	Year
GRAND CHEROKEE III (WH, WK)	6.1 SRT8 4x4	313	03/06 12/10

## OE Part number

### Compatible OE codes

JEEP	5290733AA
JEEP	5290733AB