

## Disc technical data

**Axle** Front

**Diameter**  
330 mm

**Overall height (A)**  
54,5 mm

**Centring diameter (B)**  
72 mm

**Number of holes (C)**  
5

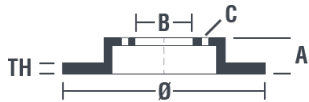
**Thickness (TH)**  
32 mm

**Minimum thickness**  
30,5 mm

**Tightening torque**   
Nm

**Unit per box**  
1

**EANCode**  
8020584224885

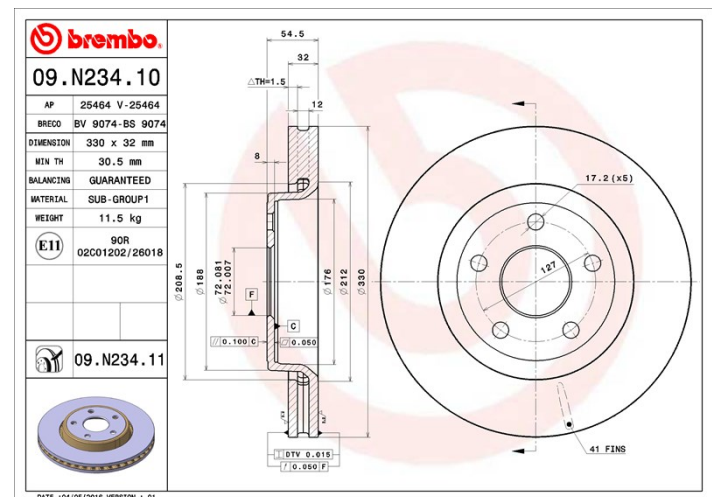


## Brand part numbers

**Brembo**  
09.N234.11

**AP**  
25464 V

**Breco**  
BV 9074



## Technical specifications

### UV Disc

The UV coating process provides a superior corrosion resistance and full disc protection.



## Compatible vehicles

### JEEP

Model	Type	kW/CV	Year
GRAND CHEROKEE IV (WK, WK2)	3.0 4x4	175/238	09/14 -
GRAND CHEROKEE IV (WK, WK2)	3.0 CRD	179/243	09/13 -
GRAND CHEROKEE IV (WK, WK2)	3.0 CRD V6 4x4	160/218	01/11 -
GRAND CHEROKEE IV (WK, WK2)	3.0 CRD V6 4x4	140/190	02/11 -
GRAND CHEROKEE IV (WK, WK2)	3.0 CRD V6 4x4	177/241	02/11 -
GRAND CHEROKEE IV (WK, WK2)	3.0 CRD V6 4x4	184/250	07/13 -
GRAND CHEROKEE IV (WK, WK2)	3.0 TD V6 4x4	179/243	04/14 -

GRAND CHEROKEE IV (WK, WK2)	3.0 V6 4x4	172/234	06/13 -
GRAND CHEROKEE IV (WK, WK2)	3.6 V6	209/284	11/10 -
GRAND CHEROKEE IV (WK, WK2)	3.6 V6 4x4	207/281	11/10 -
GRAND CHEROKEE IV (WK, WK2)	3.6 V6 4x4	210/286	11/10 -
GRAND CHEROKEE IV (WK, WK2)	3.6 V6 FlexFuel 4x4	210/286	11/10 -
GRAND CHEROKEE IV (WK, WK2)	3.6 VVT	213/290	10/10 -
GRAND CHEROKEE IV (WK, WK2)	3.6 VVT 4x4	213/290	04/16 -
GRAND CHEROKEE IV (WK, WK2)	5.7 4x4	268/364	01/11 -
GRAND CHEROKEE IV (WK, WK2)	5.7 V8 4x4	259/352	11/10 -
GRAND CHEROKEE IV (WK, WK2)	6.4 SRT8 4x4	344/468	03/11 -

## OE Part number

### Compatible OE codes

JEEP	52124762AB
------	------------

JEEP	52124762AC
------	------------