

Drum 14.3165.10

Drum technical data

Axle Rear

Diameter (Diameter)
250.00 mm

Maximum diameter (Maximum diameter)
251.00 mm

Maximum diameter
251.00 mm

Width
47.00 mm

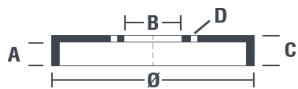
Centring diameter (B)
75 mm

Overall height (C)
62.50 mm

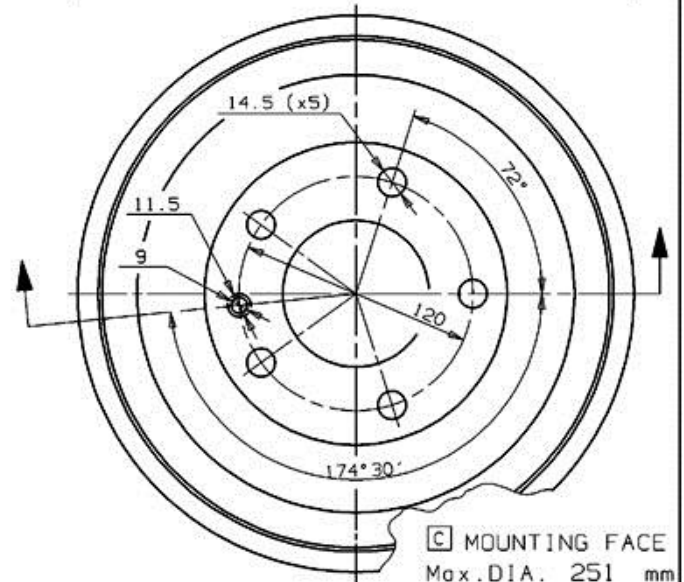
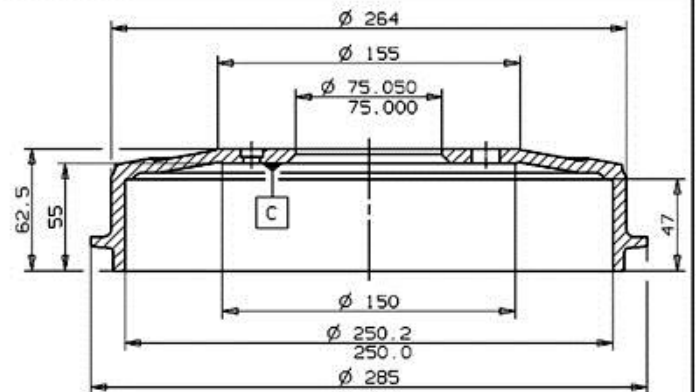
Number of holes (D)
5.00

Bearing Kit

EANCode
8020584316511



	BMW P.N.: 3421 1 116 943	14.3165.10
	CUSTOMER P.N.:	Date 10.11.97



MOUNTING FACE
 Max. DIA. 251 mm
 Weight 4.9 Kg

Compatible vehicles

BMW

Model	Type	Kw	Year
5 (E12)	518	66	07/74 05/81
5 (E12)	518 i	75	06/79 06/81

5 (E12)	520	85	06/72 01/79
5 (E12)	520 i	92	03/72 07/79
5 (E12)	520 i	96	08/72 10/75
5 (E12)	520/6	90	03/77 06/81
5 (E28)	518	66	06/81 09/84
5 (E28)	518 i	75	05/81 12/87
5 (E28)	518 i	77	05/81 12/87
5 (E28)	520 i	92	06/81 12/87
5 (E28)	520 i	95	08/85 12/87
5 (E28)	524 d	63	03/86 12/87
5 (E28)	524 td	85	09/83 12/87
5 (E34)	518 i	85	05/94 08/95
5 (E34)	518 i	83	09/89 04/94

OE Part number

Compatible OE codes

BMW	34211116943
BMW	34211158559