

Drum 14.3165.20



Drum technical data

Axle Rear

Diameter (Diameter)
250.00 mm

Maximum diameter (Maximum diameter)
251.00 mm

Maximum diameter
251.00 mm

Width
47.00 mm

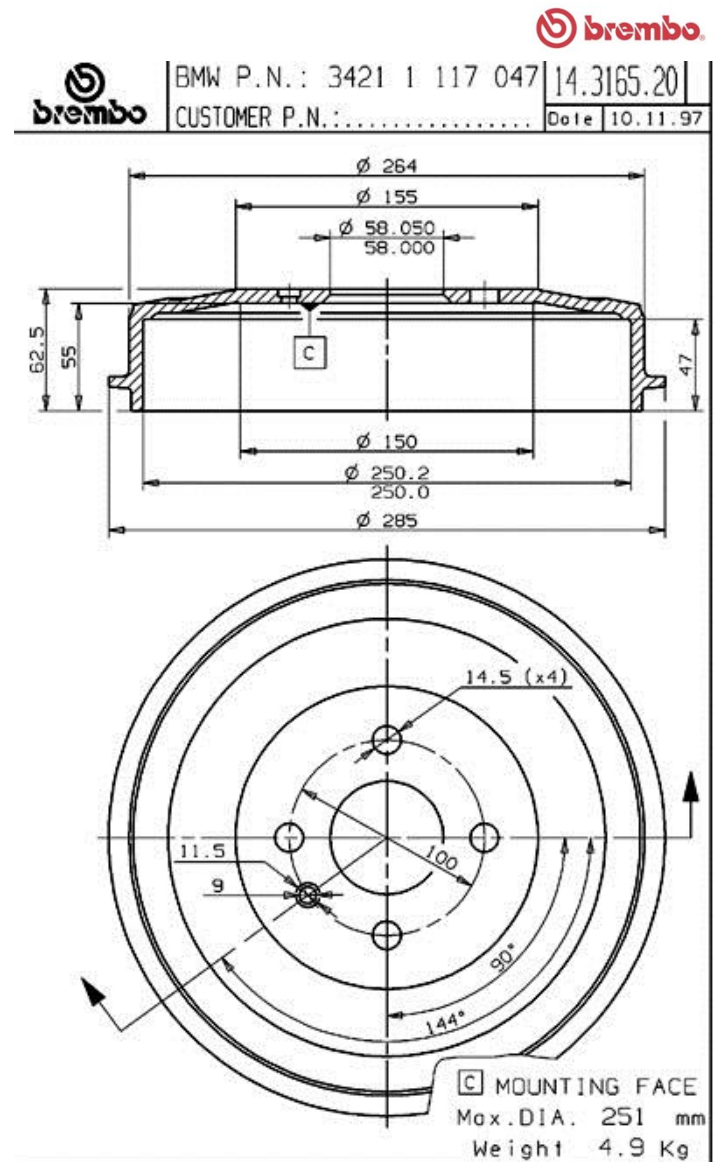
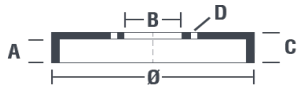
Centring diameter (B)
58 mm

Overall height (C)
62.50 mm

Number of holes (D)
4.00

Bearing Kit

EANCode
8020584316528



Compatible vehicles

BMW			
Model	Type	Kw	Year
02 (E10)	2002 Turbo	125	01/74 07/75
1500-2000 (115, 116, 118, 121)	1500	59	09/63 07/66

1500-2000 (115, 116, 118, 121)	1500	59	10/62 07/66
1500-2000 (115, 116, 118, 121)	1600	61	04/64 04/68
1500-2000 (115, 116, 118, 121)	1800	66	07/69 09/71
1500-2000 (115, 116, 118, 121)	1800	66	08/63 09/69
1500-2000 (115, 116, 118, 121)	1800 Ti	81	10/63 04/68
1500-2000 (115, 116, 118, 121)	1800 Ti (TISA)	96	10/63 04/68
1500-2000 (115, 116, 118, 121)	2000	66	01/70 11/72
1500-2000 (115, 116, 118, 121)	2000	74	09/68 07/72
1500-2000 (115, 116, 118, 121)	2000 Ti / Tilux	88	01/66 07/72
1500-2000 (115, 116, 118, 121)	2000 Tii	96	12/69 07/72
3 (E21)	315	55	03/81 03/84
3 (E21)	316	66	08/75 08/80
3 (E21)	316	66	09/80 12/82
3 (E21)	318	72	08/75 08/80
3 (E21)	318 i	77	11/79 08/82
3 (E21)	320	80	06/75 07/79
3 (E21)	320 i	92	06/75 08/82
3 (E21)	320/6	90	08/77 10/82
3 (E30)	315	55	09/82 12/91

OE Part number

Compatible OE codes

BMW	34211101787
BMW	34211117047
BMW	34211158712