

# Drum 14.3174.10



## Drum technical data

**Axle** Rear

**Diameter** (Diameter)  
180.00 mm

**Maximum diameter** (Maximum diameter)  
181.00 mm

**Maximum diameter**  
181.00 mm

**Width**  
43.00 mm

**Centring diameter** (B)  
52-58 mm

**Overall height** (C)  
72.00 mm

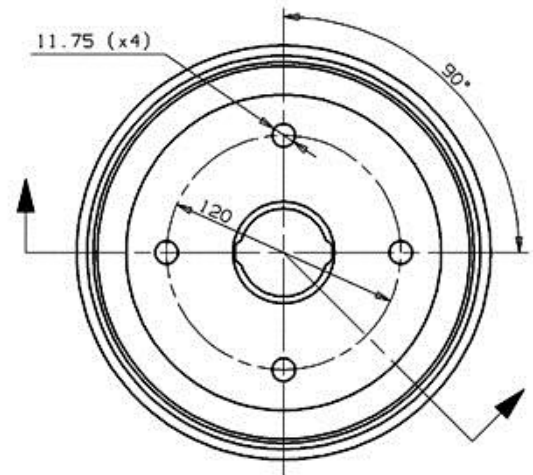
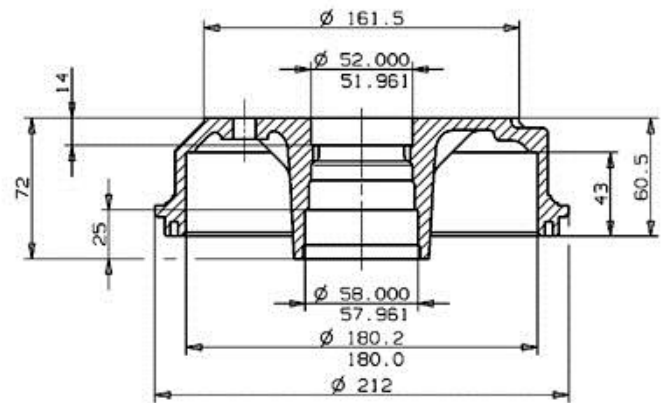
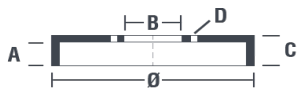
**Number of holes** (D)  
4.00

**Bearing Kit**

**EANCode**  
8020584317419



HONDA P.N. : 42610-634-010	14.3174.10
CUSTOMER P.N. : .....	Date 30.12.97



Max. DIA. 181 mm  
Weight 3.9 Kg

## Compatible vehicles

HONDA			
Model	Type	Kw	Year
CIVIC I Hatchback (SB)	1200 (SB1)	40	07/72 02/77
CIVIC I Hatchback (SB)	1200 (SB2)	40	03/77 12/80

**OE Part number****Compatible OE codes**

HONDA

42610634010

---