

Drum 14.3177.10



Drum technical data

Axle Rear

Diameter (Diameter)
180.00 mm

Maximum diameter (Maximum diameter)
181.00 mm

Maximum diameter
181.00 mm

Width
33.50 mm

Centring diameter (B)
45,2-50,3 mm

Overall height (C)
76.00 mm

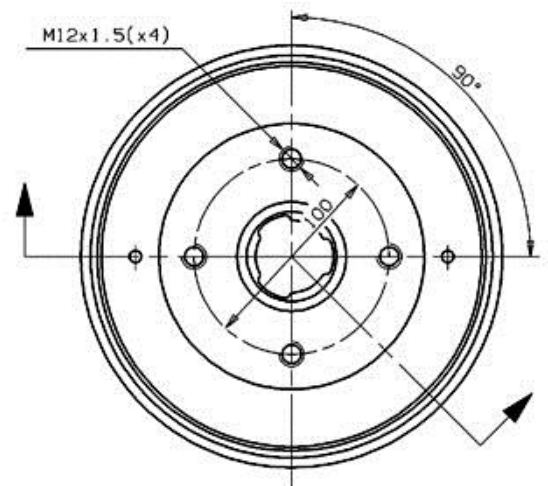
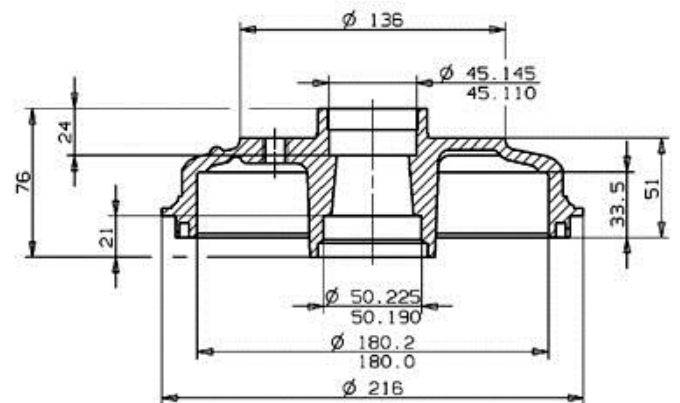
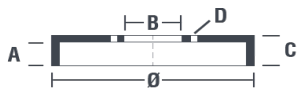
Number of holes (D)
4.00

Bearing Kit

EANCode
8020584317716



HONDA P.N. : 42610-692-010	14.3177.10
CUSTOMER P.N. :	Date 30.12.97



Max. DIA. 181 mm
Weight 3.9 Kg

Compatible vehicles

HONDA			
Model	Type	Kw	Year
PRELUDE I Coupe (SN)	1.6	59	11/78 10/82
QUINTET (SU)	1.6 EX	59	02/80 12/84

OE Part number

Compatible OE codes

HONDA	42610692000
-------	-------------

HONDA	42610692010
-------	-------------

HONDA	42610692020
-------	-------------