

Drum 14.3185.10



Drum technical data

Axle Rear

Diameter (Diameter)
228.00 mm

Maximum diameter (Maximum diameter)
229.50 mm

Maximum diameter
229.50 mm

Width
46.50 mm

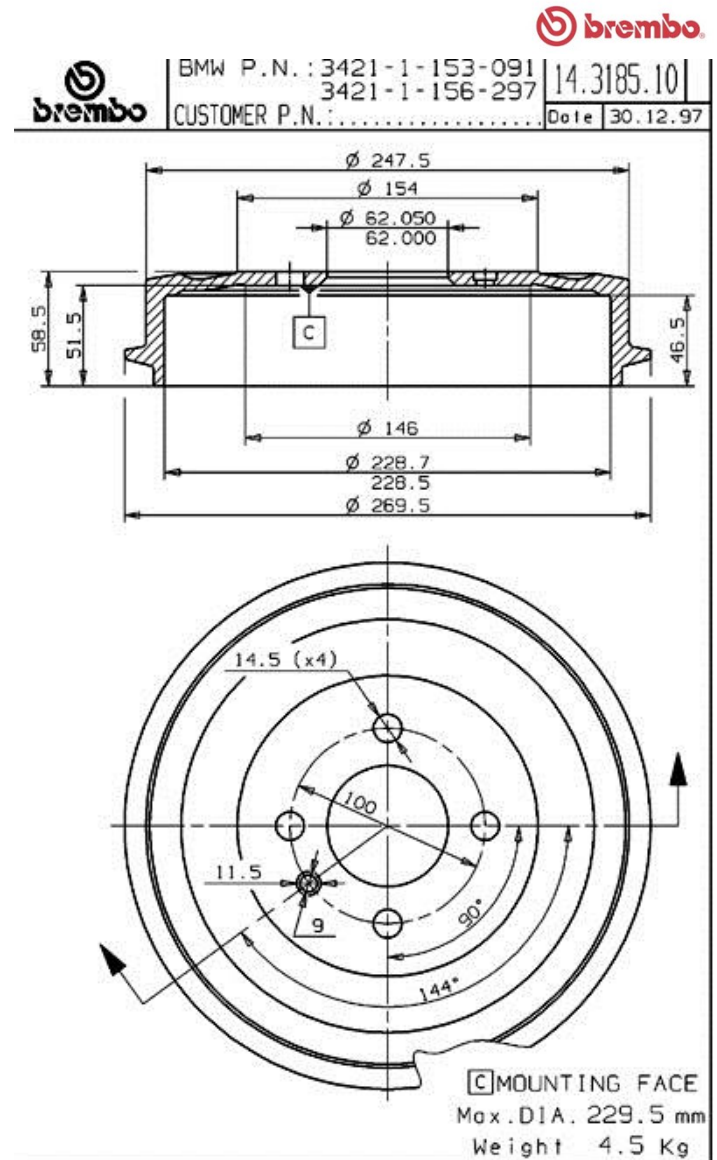
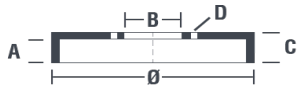
Centring diameter (B)
62 mm

Overall height (C)
58.50 mm

Number of holes (D)
4.00

Bearing Kit

EANCode
8020584318515



Compatible vehicles

BMW			
Model	Type	Kw	Year
3 (E30)	316	66	09/83 06/88
3 (E30)	316 (Ecotronic)	66	09/83 06/88

3 (E30)	316 i	75	07/88 06/91
3 (E30)	316 i	75	08/87 08/88
3 (E30)	316 i	73	09/87 06/91
3 (E30)	318 i	83	06/87 12/91
3 (E30)	318 i	77	09/82 08/87
3 (E30)	318 i	85	09/87 06/91
3 (E30)	318 i	75	12/84 08/88
3 (E30)	320 i	92	09/82 12/91
3 (E30)	320 i	95	10/86 04/91
3 (E30)	320 i	110	12/85 06/90
3 (E30)	324 d	63	09/85 08/91

OE Part number

Compatible OE codes

BMW	34211153091
BMW	34211156297
BMW	34211158556