

Drum 14.3252.10

Drum technical data

Axle Rear

Diameter (Diameter)
252.00 mm

Maximum diameter (Maximum diameter)
253.50 mm

Maximum diameter
253.50 mm

Width
65.50 mm

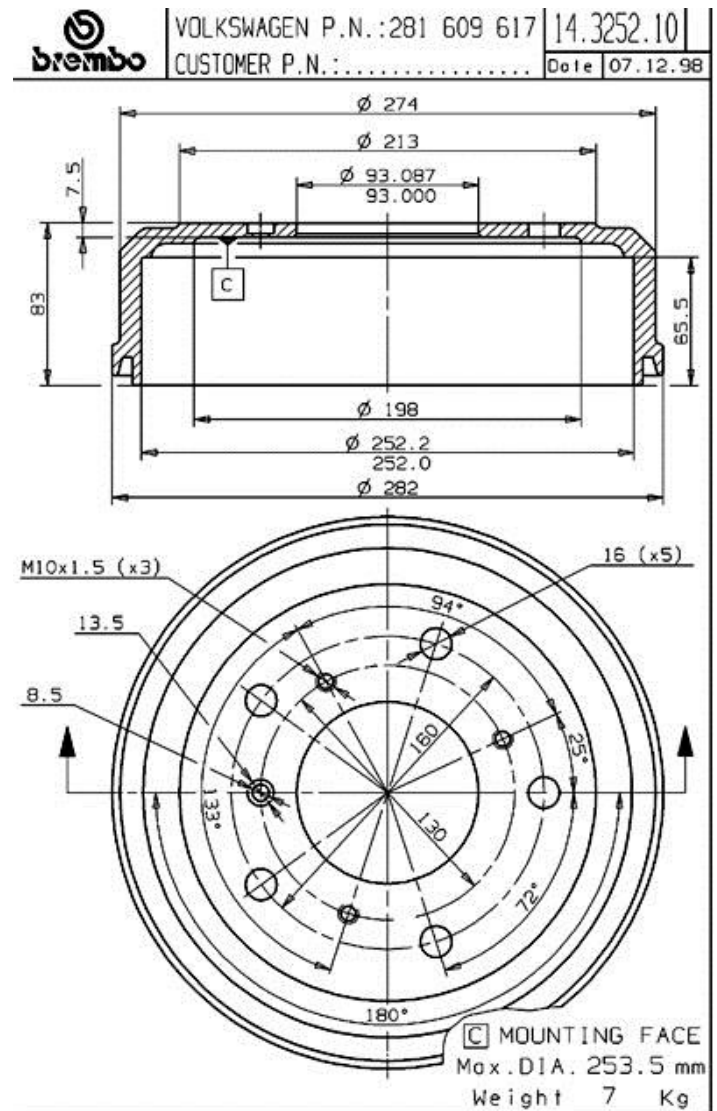
Centring diameter (B)
93 mm

Overall height (C)
83.00 mm

Number of holes (D)
5.00

Bearing Kit

EANCode
8020584325216



Compatible vehicles

VW

Model	Type	Kw	Year
LT 28-35 I Box (281-363)	2.0	55	04/75 09/83

LT 28-35 I Box (281-363)	2.4	66	12/82 07/92
LT 28-35 I Box (281-363)	2.4 D	55	01/79 07/92
LT 28-35 I Box (281-363)	2.4 D	51	07/90 05/96
LT 28-35 I Box (281-363)	2.4 i	69	08/89 06/96
LT 28-35 I Box (281-363)	2.4 TD	75	02/86 08/92
LT 28-35 I Box (281-363)	2.4 TD	70	06/92 05/96
LT 28-35 I Box (281-363)	2.4 TD	68	08/88 08/92
LT 28-35 I Box (281-363)	2.4 TD Syncro	70	08/92 04/96
LT 28-35 I Box (281-363)	2.7 D	48	11/75 01/80
LT 28-35 I Bus (281-363)	2.0	55	04/75 09/83
LT 28-35 I Bus (281-363)	2.4	66	12/82 07/92
LT 28-35 I Bus (281-363)	2.4 D	55	01/79 07/92
LT 28-35 I Bus (281-363)	2.4 D	51	08/89 06/96
LT 28-35 I Bus (281-363)	2.4 i	69	08/89 06/96
LT 28-35 I Bus (281-363)	2.4 TD	68	08/89 08/92
LT 28-35 I Bus (281-363)	2.4 TD	70	09/92 06/96
LT 28-35 I Bus (281-363)	2.4 TD	75	12/82 07/89
LT 28-35 I Platform/Chassis (281-363)	2.0	55	04/75 09/83
LT 28-35 I Platform/Chassis (281-363)	2.4	66	12/82 07/92
LT 28-35 I Platform/Chassis (281-363)	2.4 D	51	08/90 06/96
LT 28-35 I Platform/Chassis (281-363)	2.4 D	55	12/78 02/91
LT 28-35 I Platform/Chassis (281-363)	2.4 D Syncro	51	08/91 07/92
LT 28-35 I Platform/Chassis (281-363)	2.4 D Syncro	55	08/91 07/92
LT 28-35 I Platform/Chassis (281-363)	2.4 i	69	03/94 06/96
LT 28-35 I Platform/Chassis (281-363)	2.4 Syncro	66	08/91 07/92
LT 28-35 I Platform/Chassis (281-363)	2.4 Syncro	70	08/92 07/94
LT 28-35 I Platform/Chassis (281-363)	2.4 TD	68	08/90 08/92
LT 28-35 I Platform/Chassis (281-363)	2.4 TD	70	08/92 06/96
LT 28-35 I Platform/Chassis (281-363)	2.4 TD	75	12/82 09/93
LT 28-35 I Platform/Chassis (281-363)	2.7 D	48	11/75 01/80

OE Part number

Compatible OE codes

VW

281609617