

Drum 14.4735.10



Drum technical data

Axle Rear

Diameter (Diameter)
228.00 mm

Maximum diameter (Maximum diameter)
230.60 mm

Maximum diameter
230.60 mm

Width
47.00 mm

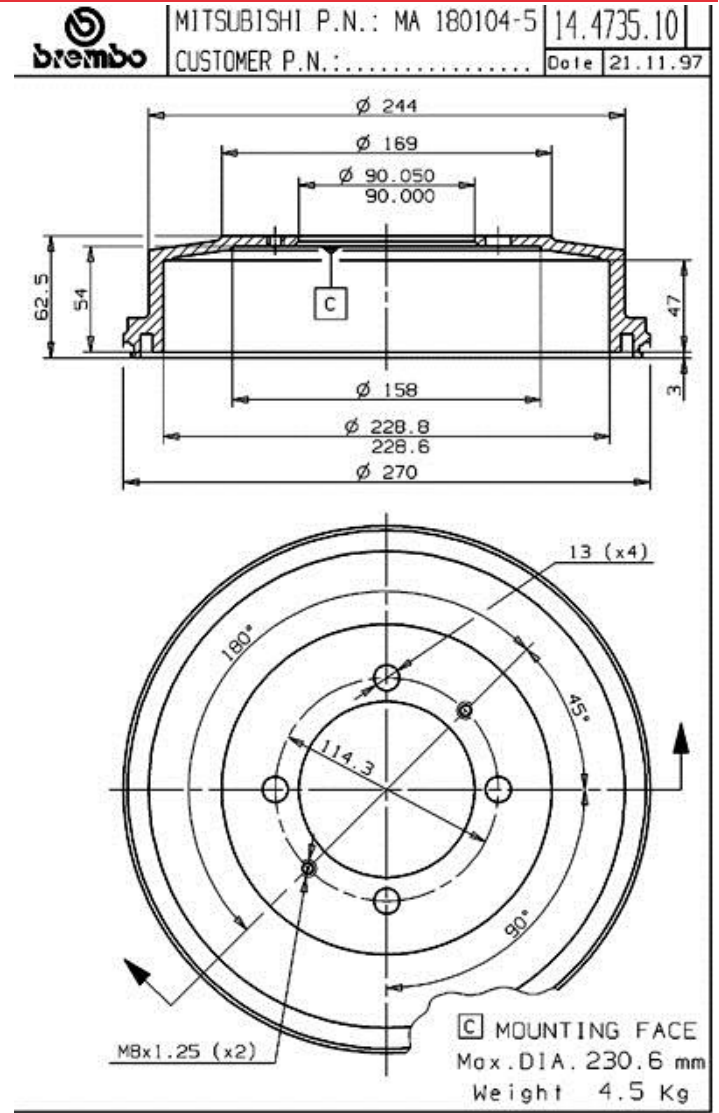
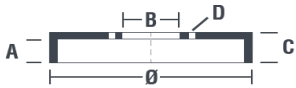
Centring diameter (B)
90 mm

Overall height (C)
62.50 mm

Number of holes (D)
4.00

Bearing Kit

EANCode
8020584473511



Compatible vehicles

MITSUBISHI

Model	Type	Kw	Year
GALANT I (A12_)	2.0	72	01/79 08/80
GALANT I (A12_)	2.0 GLX	63	01/77 08/80
LANCER II (A17_)	1.2 (A171)	40	01/80 12/81
LANCER II (A17_)	1.4 GLX (A172)	50	09/79 02/83
LANCER II (A17_)	1.6 (A174)	62	01/81 02/83
LANCER II (A17_)	1.6 (A174)	60	09/79 02/83

OE Part number

Compatible OE codes

DODGE

MA180104

DODGE	MA180105
-------	----------

MITSUBISHI	MA180104
------------	----------

MITSUBISHI	MA180105
------------	----------

PLYMOUTH	MA180104
----------	----------

PLYMOUTH	MA180105
----------	----------
