

# Drum 14.5111.10

## Drum technical data

**Axle** Rear

**Diameter** (Diameter)  
180.00 mm

**Maximum diameter** (Maximum diameter)  
181.00 mm

**Maximum diameter**  
181.00 mm

**Width**  
34.00 mm

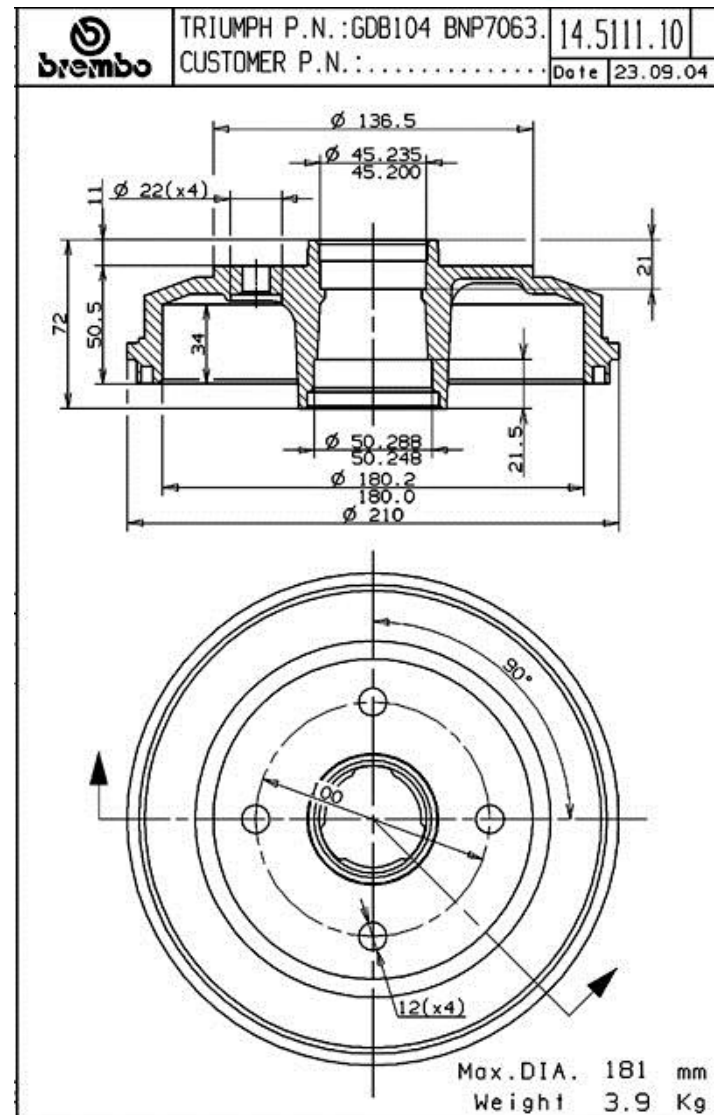
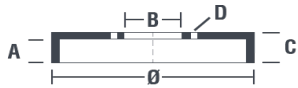
**Centring diameter** (B)  
45,2-50,3 mm

**Overall height** (C)  
72.00 mm

**Number of holes** (D)  
4.00

**Bearing Kit**

**EANCode**  
8020584511114



## Compatible vehicles

### TRIUMPH

Model	Type	Kw	Year
ACCLAIM	1.3 (XD)	51	01/82 12/85

## OE Part number

**Compatible OE codes**

TRIUMPH

BNP7063

TRIUMPH

GDB104