

Drum 14.5397.10

Drum technical data

Axle Rear

Diameter (Diameter)
180.00 mm

Maximum diameter (Maximum diameter)
182.00 mm

Maximum diameter
182.00 mm

Width
44.00 mm

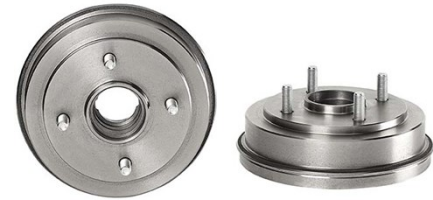
Centring diameter (B)
50,3-50,3 mm

Overall height (C)
69.00 mm

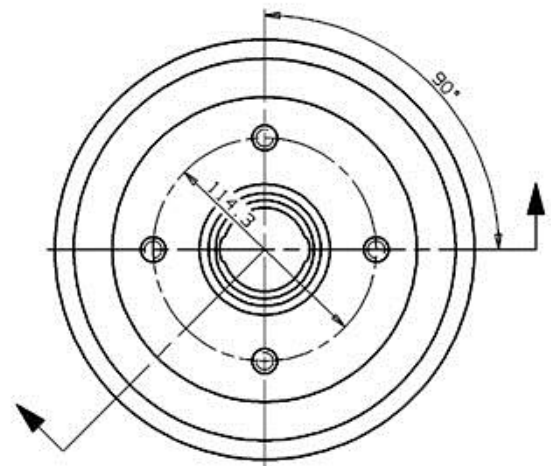
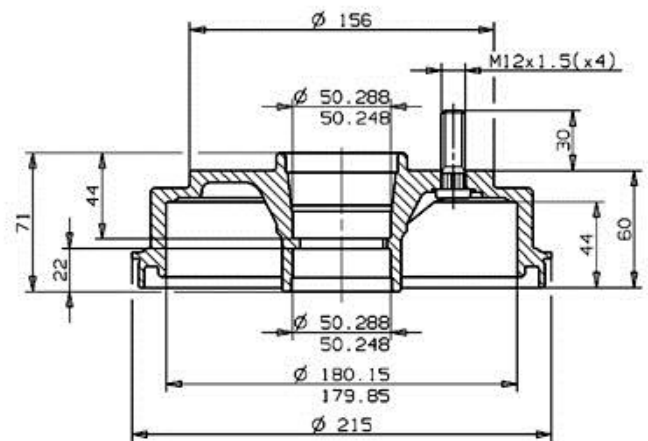
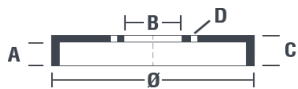
Number of holes (D)
4.00

Bearing Kit

EANCode
8020584539712



MITSUBISHI P.N.: MB 242004	14.5397.10
CUSTOMER P.N.:	Date 02.02.95



Max. DIA. 182 mm
Weight 4.2 Kg

Compatible vehicles

MITSUBISHI

Model	Type	Kw	Year
COLT II (C1_A)	1.2 EL, GL (C15A)	40	02/84 09/86
COLT II (C1_A)	1.2 EL, GL (C15A)	44	09/86 04/88

COLT II (C1_A)	1.3 EL, GL (C11A)	49	06/86 04/88
COLT II (C1_A)	1.5 GLX (C12A)	55	09/84 04/88
COLT II (C1_A)	1.5 GLX (C12A)	51	09/85 04/88
COLT II (C1_A)	1.6 Turbo ECi (C13A)	92	02/84 04/88
COLT II (C1_A)	1.6 Turbo ECi (C13A)	77	07/86 04/88
COLT II (C1_A)	1.8 GL Diesel (C14A)	43	02/84 09/86
COLT II (C1_A)	1.8 GL Diesel (C14A)	44	09/86 04/88
LANCER III (C1_A, C6_A)	1.2 (C65A)	44	08/86 04/88
LANCER III (C1_A, C6_A)	1.2 GL (C15AS)	40	01/84 10/86
LANCER III (C1_A, C6_A)	1.5 GLX (C12AS)	51	06/85 04/88
LANCER III (C1_A, C6_A)	1.5 GLX (C12AS)	55	11/83 04/88
LANCER III (C1_A, C6_A)	1.8 Diesel (C14AS)	43	01/84 09/86
LANCER III (C1_A, C6_A)	1.8 Diesel (C14AS)	44	09/86 04/88

OE Part number

Compatible OE codes

DODGE	MB242004
DODGE	MB242007
MITSUBISHI	MB242004
MITSUBISHI	MB242007