

Drum 14.5603.10

Drum technical data

Axle Rear

Diameter (Diameter)
260.00 mm

Maximum diameter (Maximum diameter)
261.50 mm

Maximum diameter
261.50 mm

Width
64.00 mm

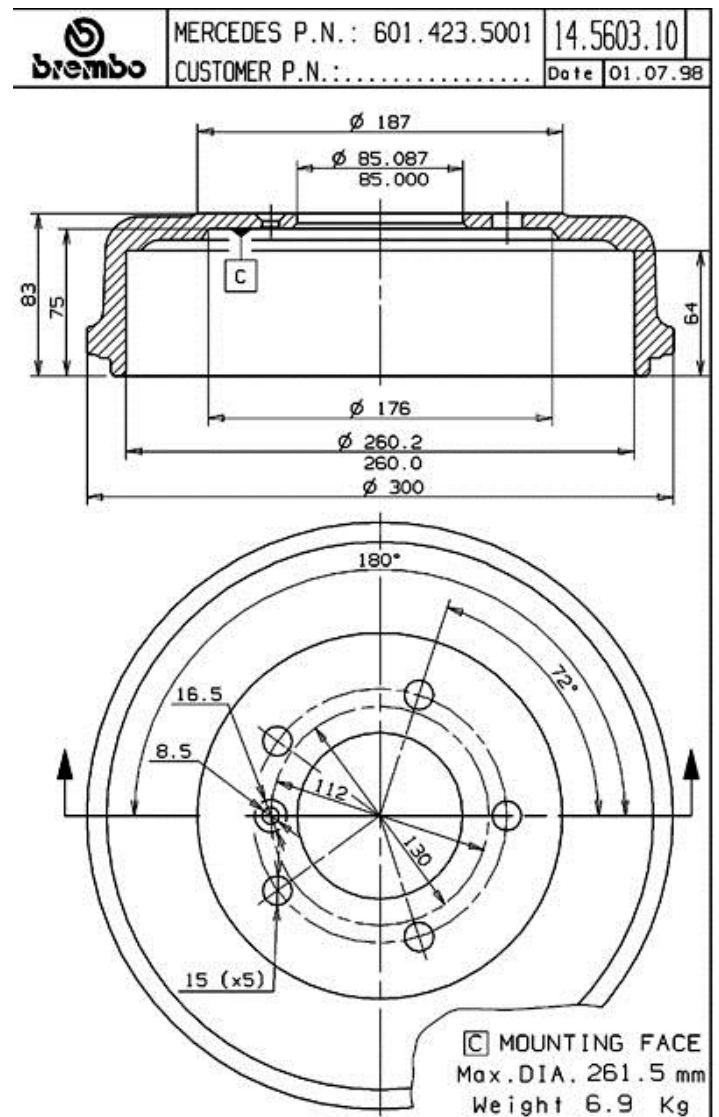
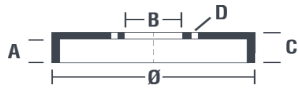
Centring diameter (B)
85 mm

Overall height (C)
83.00 mm

Number of holes (D)
5.00

Bearing Kit

EANCode
8020584560310



Compatible vehicles

MERCEDES-BENZ

Model	Type	Kw	Year
G-CLASS (W460)	230 G (460,2)	75	02/80 07/87

G-CLASS (W460)	230 G (460,2)	66	03/79 07/93
G-CLASS (W460)	230 GE (460,2)	92	04/82 08/92
G-CLASS (W460)	230 GE (460,2)	90	05/87 08/92
G-CLASS (W460)	240 GD (460,3)	53	03/79 08/87
G-CLASS (W460)	250 GD (460,3)	62	10/87 12/92
G-CLASS (W460)	250 GD (460,3)	68	12/88 08/92
G-CLASS (W460)	280 GE (460,2)	110	08/84 08/89
G-CLASS (W460)	280 GE (460,2)	115	11/79 08/89
G-CLASS (W460)	300 GD (460,3)	65	12/79 12/91
G-CLASS (W460)	300 GD (460,3)	83	03/79 07/93
G-CLASS (W461)	230 GE (461)	92	06/93 07/00
G-CLASS (W461)	230 GE (461.238, 461.239)	90	09/89 07/96
G-CLASS (W461)	250 GD (461)	68	02/90 05/93
G-CLASS (W461)	290 GD/G 290 D (461.337, 461.338)	70	06/93 07/00
G-CLASS (W461)	G 290 TD (461.335, 461.336)	88	07/97 -
G-CLASS (W463)	200 GE (463.220)	85	01/90 07/93
G-CLASS (W463)	230 GE (463.224, 463.225)	93	06/90 06/93
G-CLASS (W463)	250 GD (463.324, 463.325)	69	06/90 10/92
G-CLASS (W463)	300 GD / G 300 (463.327, 463.328)	83	09/89 06/93
G-CLASS (W463)	300 GE (463.227, 463.228)	128	06/90 08/97
G-CLASS (W463)	300 GE (463.227, 463.228)	125	09/89 08/93
G-CLASS (W463)	350 Turbo GD (463.320, 463.321)	100	09/91 08/96
G-CLASS (W463)	G 270 CDI (463.322, 463.323)	115	10/01 -
G-CLASS (W463)	G 300 TD (463.330, 463.331)	130	08/96 07/00
G-CLASS (W463)	G 320 (463.230, 463.231)	155	09/94 12/97
G-CLASS (W463)	G 320 (463.232, 463.233, 463.244, 463.245)	158	07/97 -
G-CLASS (W463)	G 320 CDI (463.340, 463.341, 463.343)	165	09/06 -
G-CLASS Cabrio (W463)	200 GE (463.200)	80	01/90 07/93
G-CLASS Cabrio (W463)	200 GE (463.200)	85	01/90 07/93
G-CLASS Cabrio (W463)	230 GE (463.204)	93	06/90 02/93
G-CLASS Cabrio (W463)	300 GD / G 300 (463.307)	83	12/90 09/97
G-CLASS Cabrio (W463)	300 GE (463.207)	125	09/89 09/97

G-CLASS Cabrio (W463)	320 GE (463.208)	155	09/94 11/97
G-CLASS Cabrio (W463)	350 G Turbo-D (463.300)	100	09/91 09/97
G-CLASS Cabrio (W463)	G 300 TD (463.308)	130	09/96 07/00
G-CLASS Cabrio (W463)	G 320 (463.209)	158	11/97 -
G-CLASS Cabrio (W463)	G 320 CDI (463.303)	165	09/06 -
G-CLASS Cabrio (W463)	G 350 CDI (463.306)	165	06/09 12/11
T1 Box (602)	307 D 2.4	53	10/82 01/90
T1 Box (602)	308 D 2.3	60	06/89 02/96
T1 Box (602)	308 D 2.3	58	11/88 02/96
T1 Box (602)	309 D 3.0	65	10/82 01/90
T1 Box (602)	310 2.3	77	01/89 12/95
T1 Box (602)	310 2.3	70	06/89 02/96
T1 Box (602)	310 D 2.9	70	06/89 02/96
T1 Box (602)	310 D 2.9	72	06/89 02/96
T1 Bus (602)	308 D 2.3	58	05/90 02/96
T1 Bus (602)	308 D 2.3	60	06/89 02/96
T1 Bus (602)	310 D 2.9	70	06/89 02/96
T1 Bus (602)	310 D 2.9	72	06/90 02/96
T1 Platform/Chassis (602)	307 D 2.4	48	04/77 01/83
T1 Platform/Chassis (602)	307 D 2.4	53	06/82 01/90
T1 Platform/Chassis (602)	308 D 2.3	58	06/89 02/96
T1 Platform/Chassis (602)	308 D 2.3	60	06/89 02/96
T1 Platform/Chassis (602)	309 D 3.0	65	10/82 01/90
T1 Platform/Chassis (602)	310 2.3	70	01/82 12/94
T1 Platform/Chassis (602)	310 D 2.9	70	06/89 02/96
T1 Platform/Chassis (602)	310 D 2.9	72	06/89 02/96

PUCH

Model	Type	Kw	Year
G-MODELL (W 460)	230 G	75	02/80 07/87
G-MODELL (W 460)	230 GE	92	04/82 08/92
G-MODELL (W 460)	240 GD	53	03/79 08/87
G-MODELL (W 460)	250 GD	62	10/87 12/92
G-MODELL (W 460)	280 GE	110	08/84 08/89
G-MODELL (W 460)	300 GD	65	12/79 12/91

G-MODELL (W 461)	230 GE	92	06/93 07/00
G-MODELL (W 461)	290 GD/G 290 D	70	04/92 08/97
G-MODELL (W 461)	G 290 TD	88	07/97 12/99
G-MODELL (W 463)	230 GE	93	06/90 06/93
G-MODELL (W 463)	300 GD	83	09/89 08/93
G-MODELL (W 463)	300 GE	125	06/90 08/93
G-MODELL (W 463)	350 G Turbo D	100	09/91 08/96
G-MODELL (W 463)	G 300 TD	130	08/96 12/99
G-MODELL (W 463)	G 320	155	09/94 12/97

OE Part number

Compatible OE codes

MERCEDES-BENZ

6014235001