

Drum 14.6759.10

Drum technical data

Axle Rear

Diameter (Diameter)
228.00 mm

Maximum diameter (Maximum diameter)
230.00 mm

Maximum diameter
230.00 mm

Width
54.50 mm

Centring diameter (B)
68 mm

Overall height (C)
62.50 mm

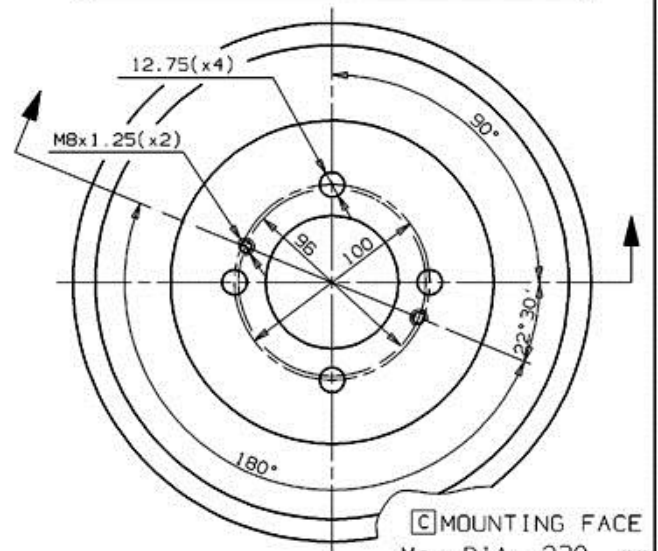
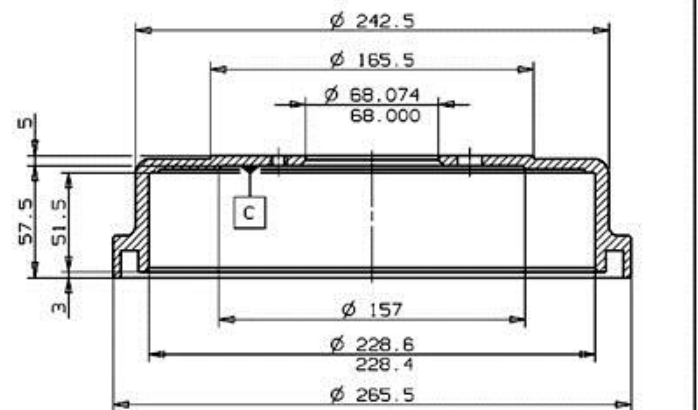
Number of holes (D)
4.00

Bearing Kit

EANCode
8020584675915



	NISSAN P.N.: 43206-70A10	14.6759.10
	CUSTOMER P.N.:	Date 22.02.96



MOUNTING FACE
 Max. DIA. 230 mm
 Weight 4.1 Kg

Compatible vehicles

NISSAN

Model	Type	Kw	Year
SUNNY II (N13)	1.6 i 4x4 (A)	54	06/86 10/90
SUNNY II Traveller (B12)	1.6 i 12V 4x4	66	10/88 08/90

SUNNY II Traveller (B12)	1.6 i 4x4 (A)	54	06/86 05/89
SUNNY III Box (Y10)	1.6 i 16V	66	10/92 03/00
SUNNY III Box (Y10)	1.6 L	75	11/92 04/96
SUNNY III Box (Y10)	1.7 D	40	11/90 03/00
SUNNY III Hatchback (N14)	1.6 i 16V 4x4	75	10/92 05/95
SUNNY III Traveller (Y10)	1.6 16V 4x4	66	11/90 05/95
SUNNY III Traveller (Y10)	1.6 i	66	06/91 03/00
SUNNY III Traveller (Y10)	1.6 i 16V 4x4	75	10/92 03/00
SUNNY III Traveller (Y10)	2.0 D	55	06/91 03/00

OE Part number

Compatible OE codes

NISSAN

4320670A10