

Drum 14.A674.20



Drum technical data

Axle Rear

Diameter (Diameter)
270.00 mm

Maximum diameter (Maximum diameter)
272.00 mm

Maximum diameter
272.00 mm

Width
64.00 mm

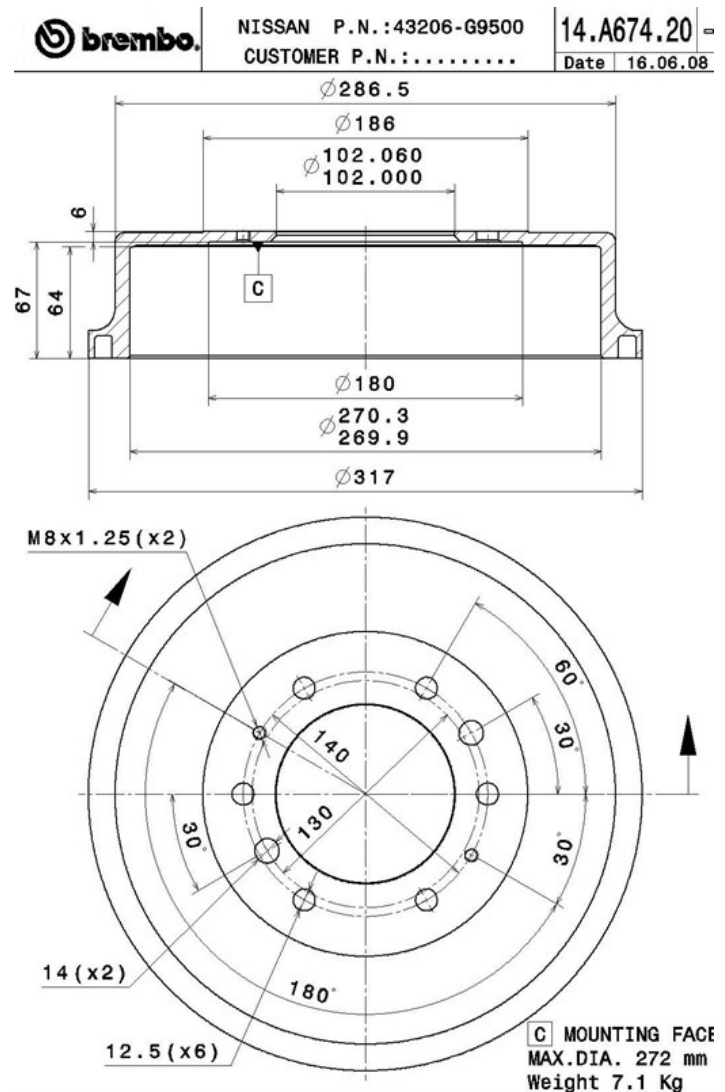
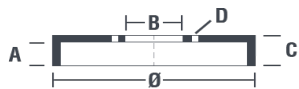
Centring diameter (B)
102 mm

Overall height (C)
73.00 mm

Number of holes (D)
6.00

Bearing Kit

EANCode
8020584017067



Compatible vehicles

NISSAN

Model	Type	Kw	Year
PATROL III/2 Hardtop (K260)	2.8	88	05/86 06/90
PATROL III/2 Hardtop (K260)	2.8 TD	85	05/86 06/90

PATROL III/2 Hardtop (K260)	3.2 D	81	08/88 06/90
PATROL III/2 Station Wagon (W260)	2.8 D 4x4	68	01/90 01/91
PATROL III/2 Station Wagon (W260)	2.8 TD	85	06/89 11/95
PATROL III/2 Station Wagon (W260)	3.2 D	81	08/88 06/90

OE Part number

Compatible OE codes

NISSAN	43206G9500
--------	------------