

Drum 14.A675.10



Drum technical data

Axle Rear

Diameter (Diameter)
295.00 mm

Maximum diameter (Maximum diameter)
297.00 mm

Maximum diameter
297.00 mm

Width
71.50 mm

Centring diameter (B)
111 mm

Overall height (C)
85.50 mm

Number of holes (D)
6.00

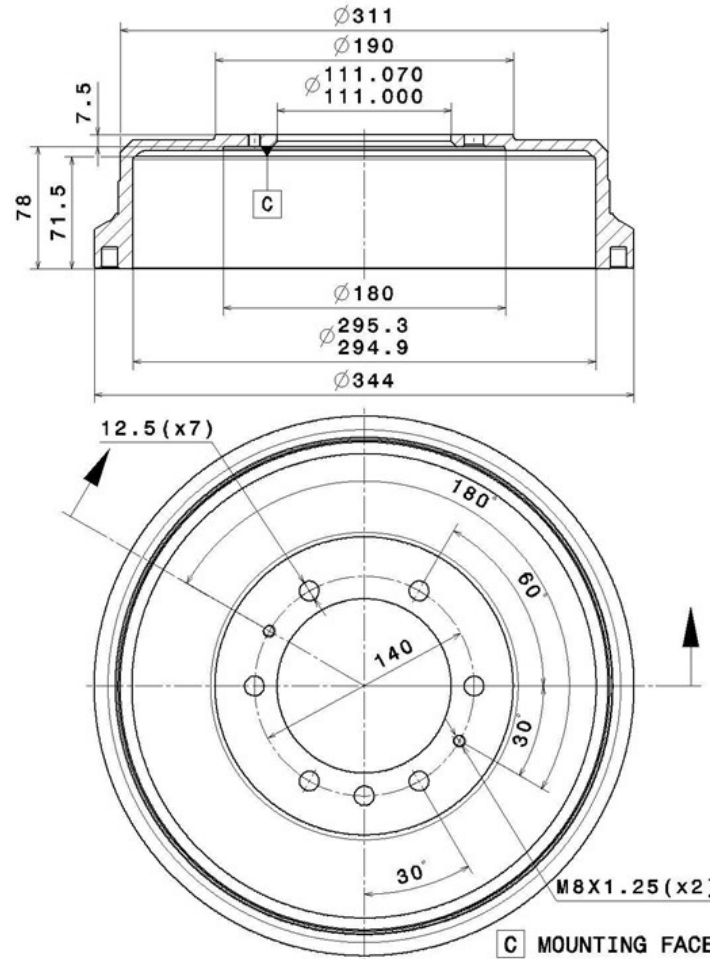
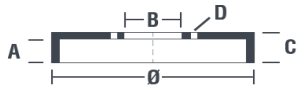
Bearing Kit

EANCode
8020584017074



NISSAN PATROL P.N.: 43206-G9800
CUSTOMER P.N.:

14.A675.10
Date 10.06.08



C MOUNTING FACE
MAX. DIA. 297 mm
Weight 10 Kg

Compatible vehicles

NISSAN

Model	Type	Kw	Year
PATROL GR V Wagon (Y61)	2.7 TD	73	05/98 06/01
PATROL III/2 Station Wagon (W260)	2.8 TD	85	06/89 11/95

OE Part number**Compatible OE codes**

NISSAN

43206G9800
