

# Drum 14.A691.10



## Drum technical data

**Axle** Rear

**Diameter** (Diameter)  
228.00 mm

**Maximum diameter** (Maximum diameter)  
229.60 mm

**Maximum diameter**  
229.60 mm

**Width**  
68.00 mm

**Centring diameter** (B)  
63,4 mm

**Overall height** (C)  
89.50 mm

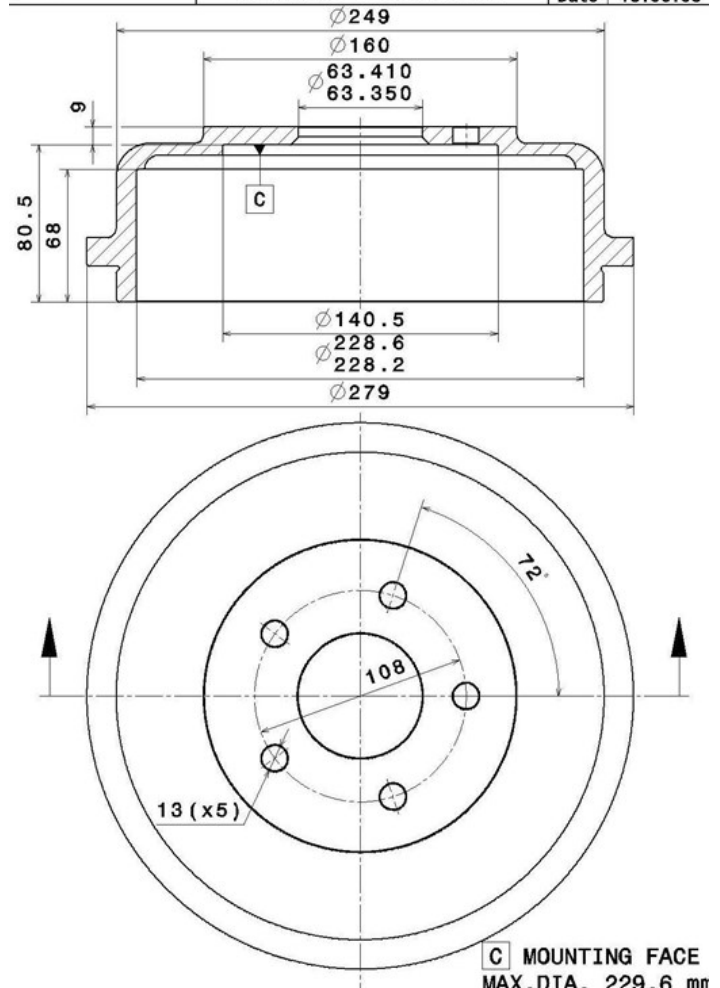
**Number of holes** (D)  
5.00

**Bearing Kit**

**EANCode**  
8020584017135



	FORD P.N.: 4 367 102	14.A691.10
	CUSTOMER P.N.: .....	Date 16.06.08



## Compatible vehicles

FORD

Model	Type	Kw	Year
TOURNEO CONNECT	1.8 16V	85	06/02 12/13
TOURNEO CONNECT	1.8 TDCi	66	06/02 12/13

TOURNEO CONNECT	1.8 TDCi	81	08/06 12/13
TOURNEO CONNECT	1.8 TDCi /TDDi /DI	55	06/02 12/13
TRANSIT CONNECT (P65_, P70_, P80_)	1.8 16V	85	06/02 12/13
TRANSIT CONNECT (P65_, P70_, P80_)	1.8 16V LPG	85	06/02 12/13
TRANSIT CONNECT (P65_, P70_, P80_)	1.8 Di	55	06/02 12/13
TRANSIT CONNECT (P65_, P70_, P80_)	1.8 TDCi	66	06/02 12/13
TRANSIT CONNECT (P65_, P70_, P80_)	1.8 TDCi	81	08/06 12/13

## OE Part number

### Compatible OE codes

FORD	1334975
FORD	1361302
FORD	1361304
FORD	4367102
FORD	4367103
FORD	4455981
FORD	4467600