

Drum 14.A695.10



Drum technical data

Axle Rear

Diameter (Diameter)
228.00 mm

Maximum diameter (Maximum diameter)
230.20 mm

Maximum diameter
230.20 mm

Width
51.00 mm

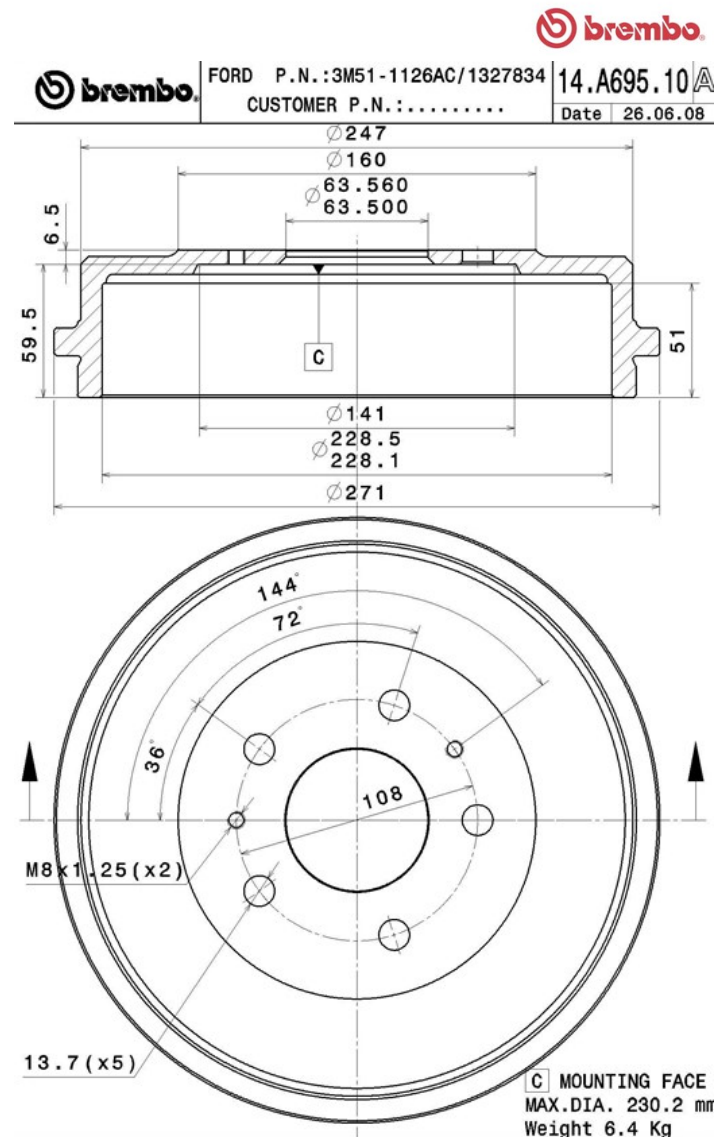
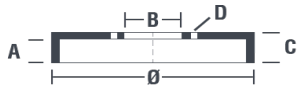
Centring diameter (B)
63,5 mm

Overall height (C)
66.00 mm

Number of holes (D)
5.00

Bearing Kit

EANCode
8020584017128



Compatible vehicles

FORD

Model	Type	Kw	Year
FOCUS II (DA_, HCP, DP)	1.4	59	07/04 09/12
FOCUS II Saloon (DB_, FCH, DH)	1.4	59	04/05 09/12

OE Part number**Compatible OE codes**

FORD

1327834
