

Pads P 24 201 New



Pads technical data

WVA
22231, 22232, 22233

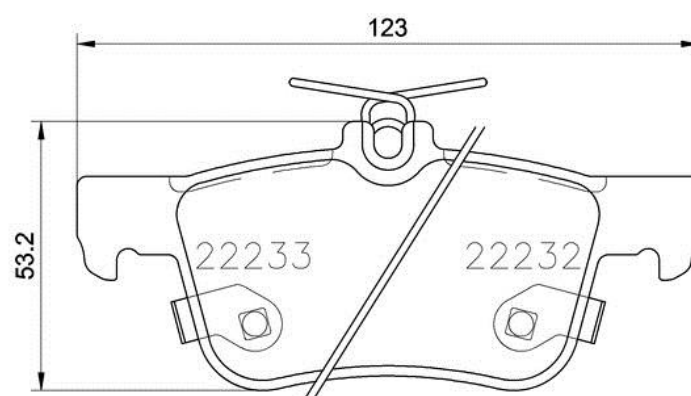
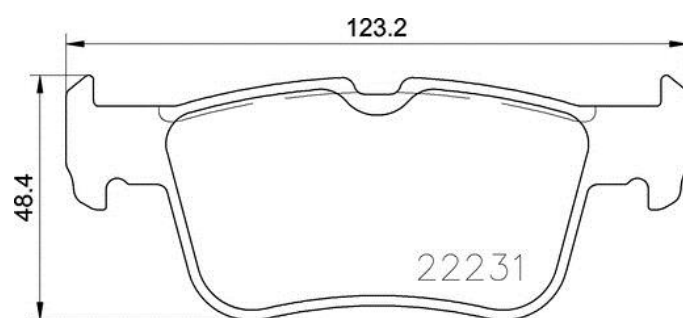
Width
123,2 mm

Thickness
15,9 mm

Height
48,2 - 53,2 mm

Braking system

Wear indicator
Acoustic



Pads P 36 031 New

Pads technical data

WVA
22302, 22303

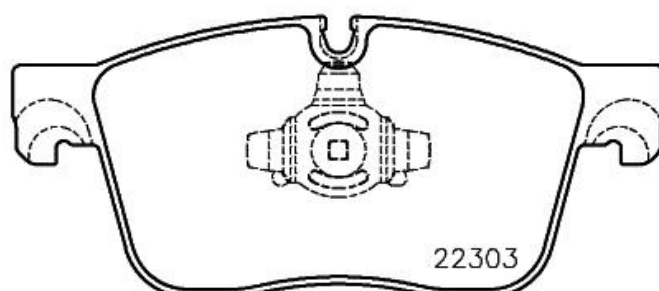
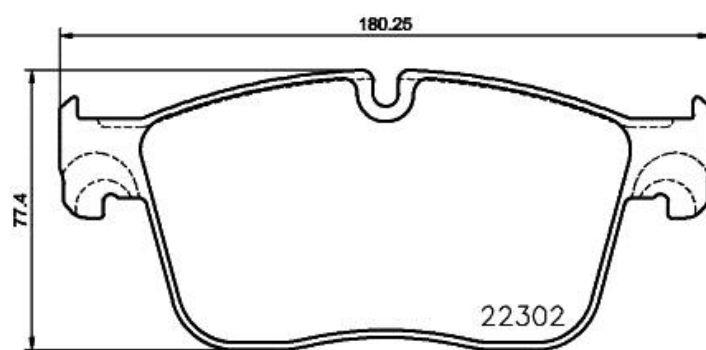
Width
180,1 mm

Thickness
18,4 mm

Height
77,5 mm

Braking system
Teves

Wear indicator
Without



Pads P 36 035 New

Pads technical data

WVA

22145, 22322

Width

193,2 mm

Thickness

18 - 19 mm

Height

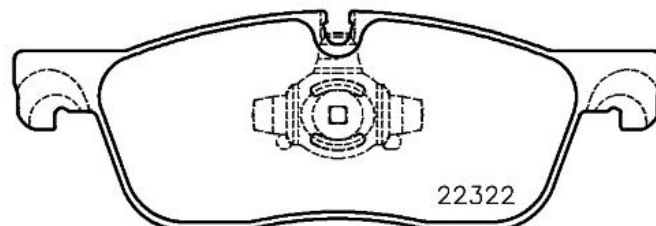
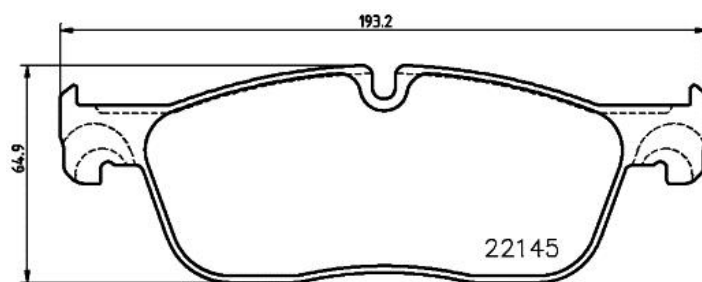
65,5 mm

Braking system

Teves

Wear indicator

Prepared



Pads P 37 018 New

Pads technical data

WVA
25849, 25859

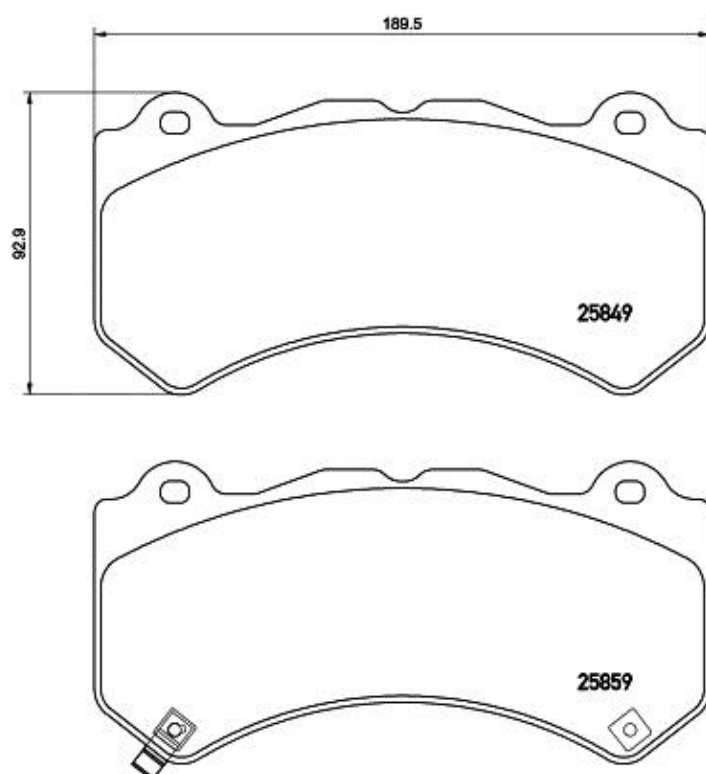
Width
189,6 mm

Thickness
15,4 mm

Height
93 mm

Braking system
Brembo

Wear indicator
Acoustic



Pads P 50 127 New



Pads technical data

WVA
24455

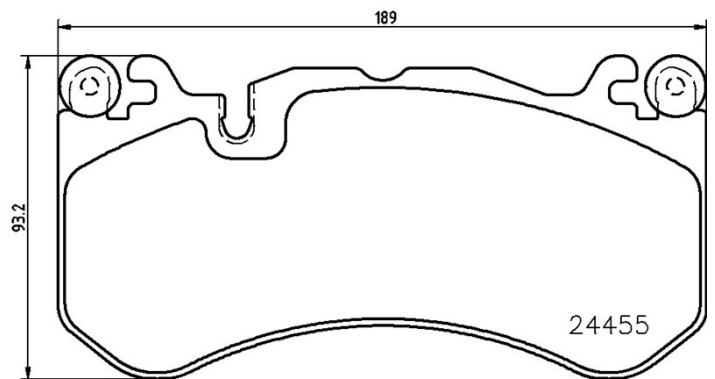
Width
189,6 mm

Thickness
16,9 mm

Height
93,2 mm

Braking system
Brembo

Wear indicator
Prepared



Pads P 59 088 New

Pads technical data

WVA
22326, 22327, 22328

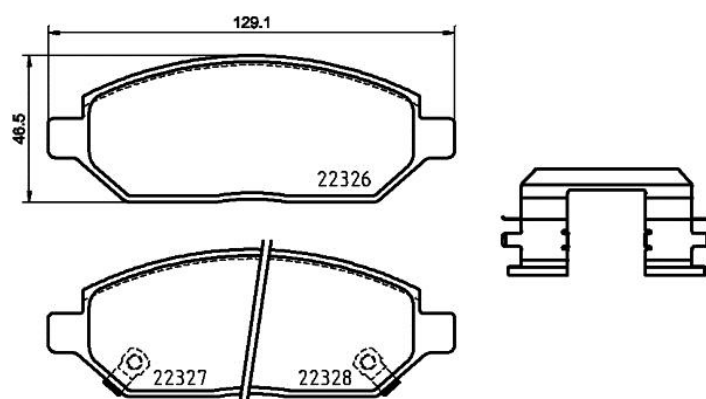
Width
128,9 mm

Thickness
18 mm

Height
46,75 mm

Braking system

Wear indicator
Acoustic



Pads P 59 093 New

Pads technical data

WVA
22522, 22523, 22524

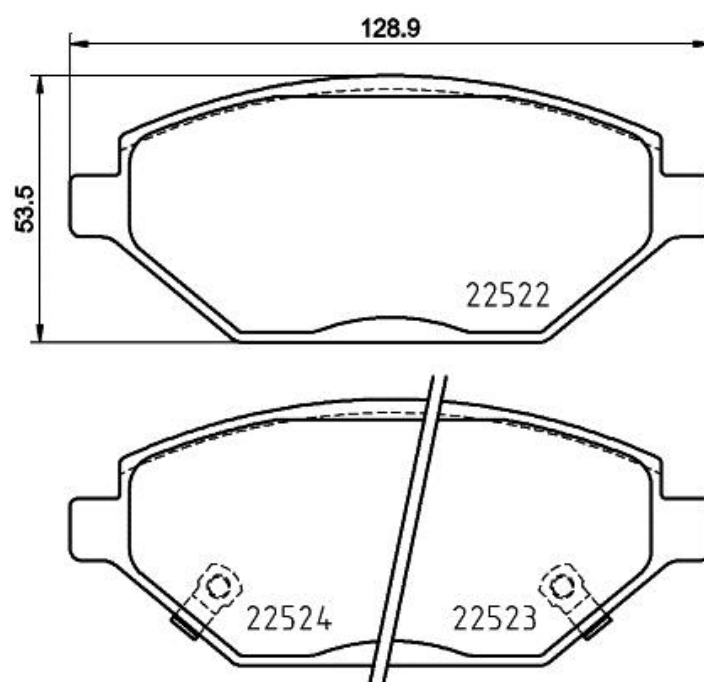
Width
128,8 mm

Thickness
17,6 mm

Height
53,5 mm

Braking system

Wear indicator
Acoustic



Pads P 77 002 New



Pads technical data

WVA
22183, 22184, 22185

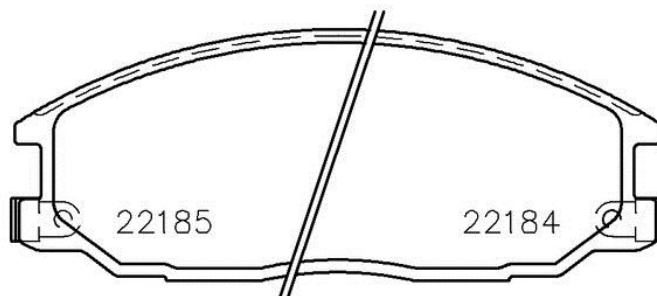
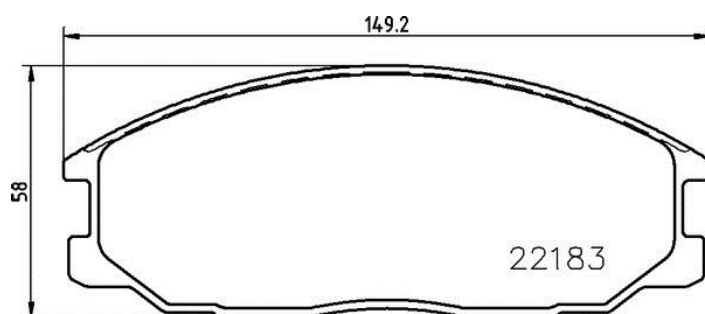
Width
149,2 mm

Thickness
17 mm

Height
58 mm

Braking system
Mando

Wear indicator
Acoustic



Pads P 78 026 New

Pads technical data

WVA
22158, 22159, 22160

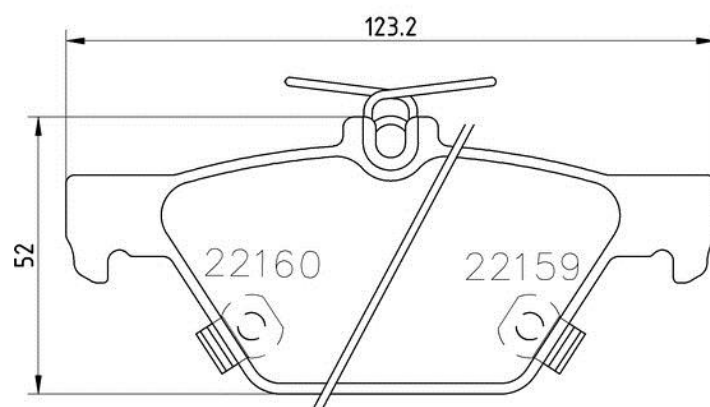
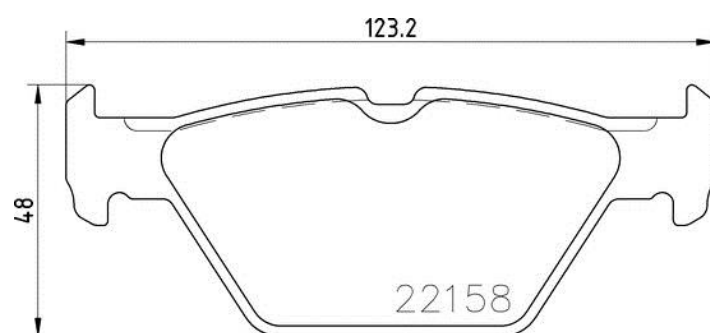
Width
123,2 mm

Thickness
14,5 mm

Height
48 - 52 mm

Braking system

Wear indicator
Acoustic



Pads
P 83 166 New

 **brembo**
AFTERMARKET

Pads technical data

WVA
22153

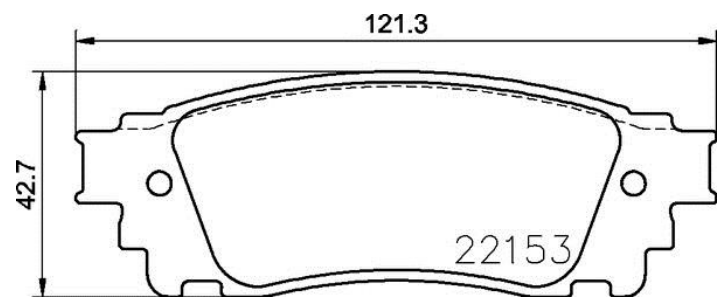
Thickness
15 mm

Braking system
Akebono

Width
121,3 mm

Height
42,7 mm

Wear indicator
Without



Pads P 85 162 New

Pads technical data

WVA
22601, 25011, 25009

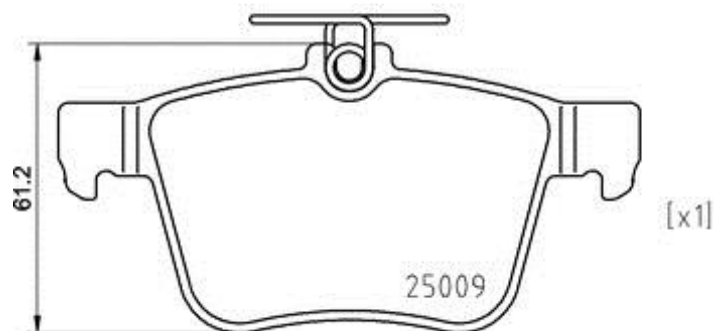
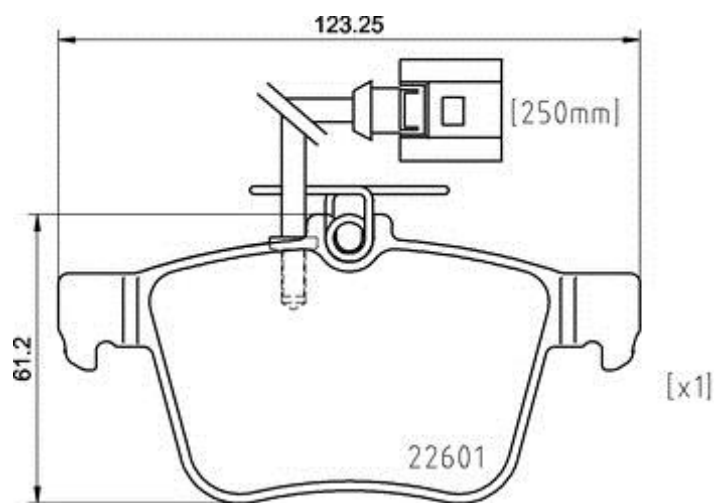
Thickness
15,5 mm

Braking system
Teves

Width
123,1 mm

Height
56,3 - 61,3 mm

Wear indicator
Electric



Pads P 86 026 New

Pads technical data

WVA
22386, 22387

Width
180,1 - 181,3 mm

Thickness
18,4 - 19 mm

Height
71,9 - 72 mm

Braking system
Teves

Wear indicator
Prepared

