



# BRAKE PAD PRIME CERAMIC P06033N

The P06033N NAO brake pad is synonymous with reliability

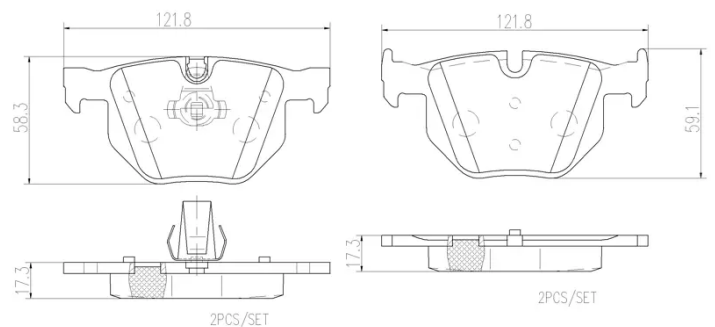
Brembo NAO brake pads stand out for their ultimate braking comfort, reduced friction wear and low dust mission, which makes for cleaner rims and reduced maintenance requirements. The advanced friction material in keeping with the strictest environmental standards is the main distinguishing feature of NAO compounds.

- ✓ OE-equivalent
- ✓ Brembo quality
- ✓ Safety
- ✓ Comfort
- ✓ Durability
- ✓ Dust reduction
- ✓ With accessories



## Technical specifications

EAN code <b>8020584095904</b>	Axle <b>Rear</b>	Thickness <b>17 mm</b>
Width <b>122 mm</b>	Height <b>58 mm</b>	Braking system <b>Teves</b>
Wear indicator <b>Prepared for wear indicator</b>	WVA number <b>23737,23732</b>	Accessories <b>With accessories With piston clip With anti-squeal shim</b>



COMPATIBLE VEHICLES

## COMPATIBLE OE PART NUMBERS

34212339276	BMW
-------------	-----

---

34212339277	BMW
-------------	-----

---

34212339278	BMW
-------------	-----

---

34212339279	BMW
-------------	-----

---

34212339290	BMW
-------------	-----

---

34216763043	BMW
-------------	-----

---

34216763044	BMW
-------------	-----

---

34216784135	BMW
-------------	-----

---