



# BRAKE PAD XTRA CERAMIC P06055NX

**Xtra Ceramic brake pad P06055NX belongs to Brembo Cool Line**

Brembo Xtra Ceramic brake pads have a specific compound which, beside being copper free, also contains less metal compared to Xtra pads. This feature make Xtra Ceramic more focused on comfort and cleaner rims, thanks to the ceramic friction material, while guaranteeing the top performance proper of the Xtra line. Xtra Ceramic range is fully ECE R90 homologated.

- ✓ OE-equivalent
- ✓ Brembo quality
- ✓ ECE-R90 certificate
- ✓ Safety
- ✓ Performance
- ✓ Dust reduction
- ✓ Comfort
- ✓ With accessories

## Technical specifications

EAN code  
**8020584130759**

Axle  
**Front**

Thickness  
**20 mm**

Width  
**155 mm**

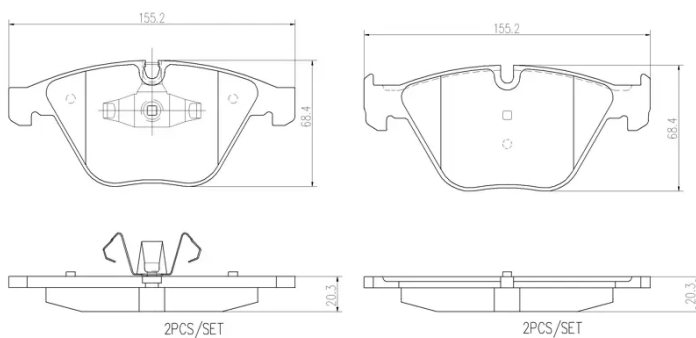
Height  
**68 mm**

Braking system  
**Teves**

Wear indicator  
**Prepared for wear indicator**

WVA number  
**23313,24255**

Accessories  
**With accessories  
With anti-squeal shim  
With piston clip**



**COMPATIBLE VEHICLES**

## COMPATIBLE OE PART NUMBERS

34112288858	BMW
34112288859	BMW
34112288861	BMW
34112288862	BMW
34112288866	BMW
34112288867	BMW
34112288868	BMW
34112288869	BMW
34112409225	BMW
34112413152	BMW
34116780711	BMW
34116790759	BMW
34116857686	BMW
34106880754	BMW (BRILLIANCE)
6880754	BMW (BRILLIANCE)