

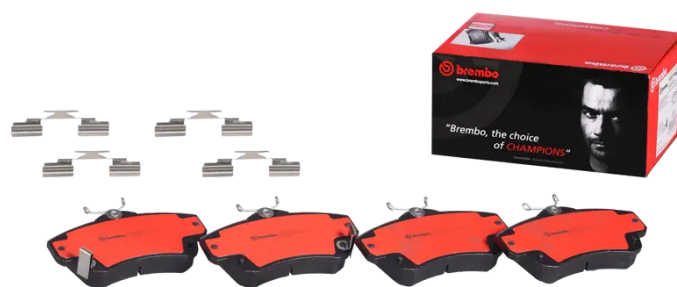


BRAKE PAD PRIME CERAMIC P11012N

The P11012N NAO brake pad is synonymous with reliability

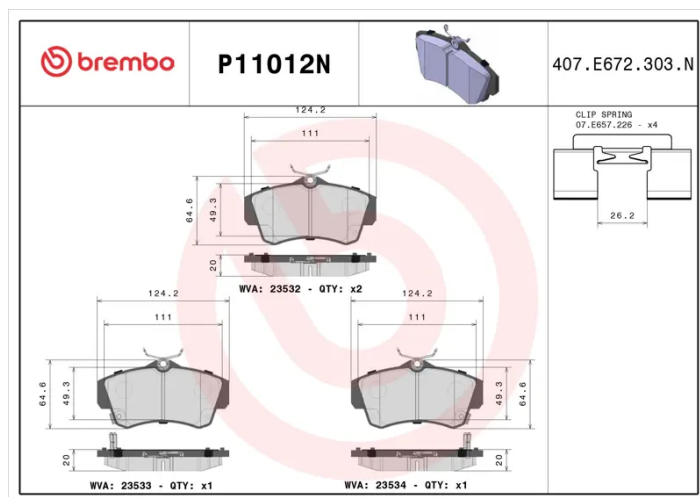
Brembo NAO brake pads stand out for their ultimate braking comfort, reduced friction wear and low dust mission, which makes for cleaner rims and reduced maintenance requirements. The advanced friction material in keeping with the strictest environmental standards is the main distinguishing feature of NAO compounds.

- ✓ OE-equivalent
- ✓ Brembo quality
- ✓ Safety
- ✓ Comfort
- ✓ Durability
- ✓ Dust reduction
- ✓ With accessories



Technical specifications

EAN code 8020584096512	Axle Front	Thickness 20 mm
Width 124 mm	Height 65 mm	Braking system Lucas
Wear indicator Acoustic	WVA number 23532,23533,23534	Accessories With anti-squeal shim



COMPATIBLE VEHICLES

COMPATIBLE OE PART NUMBERS

05017843AA	CHRYSLER
------------	----------

05083853AA	CHRYSLER
------------	----------

05083853AB	CHRYSLER
------------	----------

05086364AA	CHRYSLER
------------	----------

05086364AB	CHRYSLER
------------	----------

5017843AA	CHRYSLER
-----------	----------

5083853AA	CHRYSLER
-----------	----------

5083853AB	CHRYSLER
-----------	----------

5086364AA	CHRYSLER
-----------	----------

5086364AB	CHRYSLER
-----------	----------

K05017843AA	CHRYSLER
-------------	----------

K05083853AA	CHRYSLER
-------------	----------

K05083853AB	CHRYSLER
-------------	----------

K05086364AA	CHRYSLER
-------------	----------

K05086364AB	CHRYSLER
-------------	----------