



BRAKE PAD PRIME CERAMIC P44019N

The P44019N NAO brake pad is synonymous with reliability

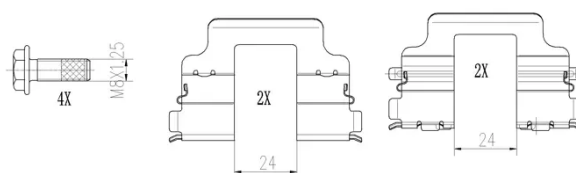
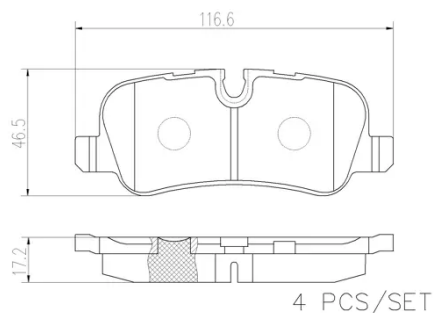
Brembo NAO brake pads stand out for their ultimate braking comfort, reduced friction wear and low dust mission, which makes for cleaner rims and reduced maintenance requirements. The advanced friction material in keeping with the strictest environmental standards is the main distinguishing feature of NAO compounds.

- ✓ OE-equivalent
- ✓ Brembo quality
- ✓ Safety
- ✓ Comfort
- ✓ Durability
- ✓ Dust reduction
- ✓ With accessories



Technical specifications

| | | |
|--|----------------------------|---|
| EAN code 8020584080368 | Axle Rear | Thickness 17 mm |
| Width 117 mm | Height 47 mm | Braking system Lucas |
| Wear indicator Prepared for wear indicator | WVA number 24192 | Accessories With accessories With anti-squeal shim With brake caliper bolts |



COMPATIBLE VEHICLES

COMPATIBLE OE PART NUMBERS

LR012993 LAND ROVER

LR015519 LAND ROVER

LR032060 LAND ROVER

LR032377 LAND ROVER

LR055455 LAND ROVER

LR139969 LAND ROVER
