



BRAKE PAD PRIME CERAMIC P49044N

The P49044N NAO brake pad is synonymous with reliability

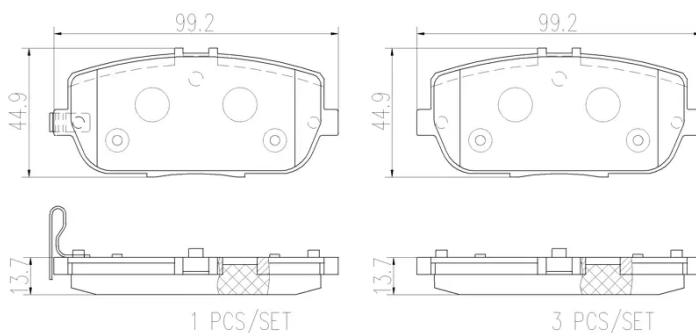
Brembo NAO brake pads stand out for their ultimate braking comfort, reduced friction wear and low dust mission, which makes for cleaner rims and reduced maintenance requirements. The advanced friction material in keeping with the strictest environmental standards is the main distinguishing feature of NAO compounds.

- ✓ OE-equivalent
- ✓ Brembo quality
- ✓ Safety
- ✓ Comfort
- ✓ Durability
- ✓ Dust reduction
- ✓ With accessories



Technical specifications

EAN code 8020584082812	Axle Rear	Thickness 14 mm
Width 99 mm	Height 45 mm	Braking system Sumitomo
Wear indicator Acoustic	WVA number 24298,24300,24299	Accessories With piston clip With anti-squeal shim With accessories



COMPATIBLE VEHICLES

COMPATIBLE OE PART NUMBERS

6000615057	FIAT
------------	------

68333396AA	FIAT
------------	------

N1Y32643ZA	MAZDA
------------	-------

N1Y32648ZA	MAZDA
------------	-------

N2Y32648Z	MAZDA
-----------	-------

N2Y32648ZA	MAZDA
------------	-------

N2Y32648ZB	MAZDA
------------	-------

NFY02648Z	MAZDA
-----------	-------

NFY72446Z	MAZDA
-----------	-------

NFY72643Z	MAZDA
-----------	-------

NFY72648Z	MAZDA
-----------	-------

NFY72648ZA	MAZDA
------------	-------

NFY72648ZB	MAZDA
------------	-------

NFY72649Z	MAZDA
-----------	-------

NFZ72643Z	MAZDA
-----------	-------