

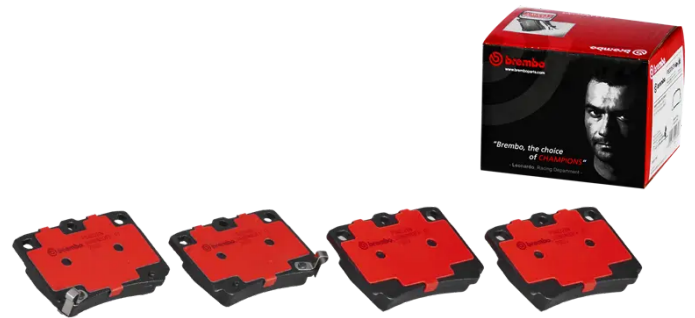


# BRAKE PAD PRIME CERAMIC P54026N

**The P54026N NAO brake pad is synonymous with reliability**

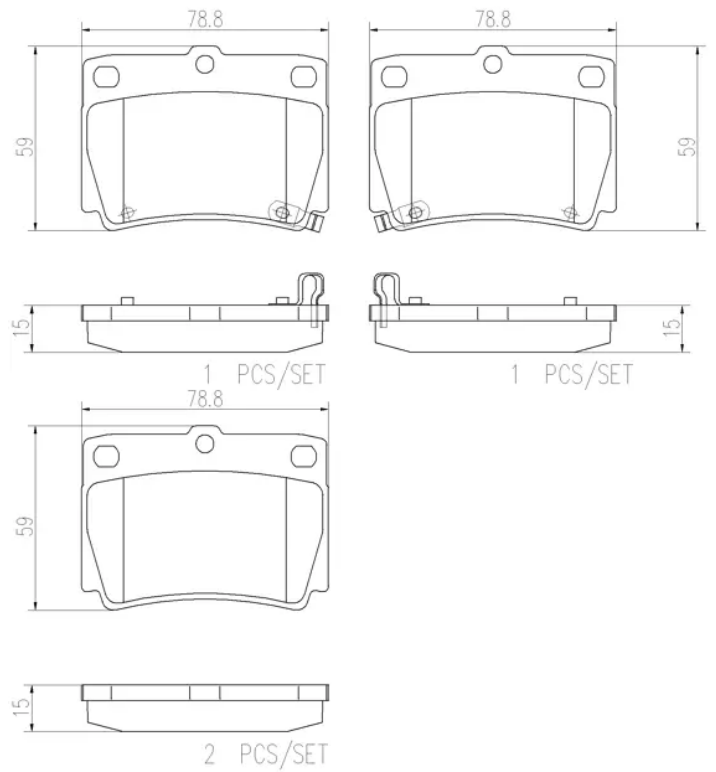
Brembo NAO brake pads stand out for their ultimate braking comfort, reduced friction wear and low dust mission, which makes for cleaner rims and reduced maintenance requirements. The advanced friction material in keeping with the strictest environmental standards is the main distinguishing feature of NAO compounds.

- ✓ OE-equivalent
- ✓ Brembo quality
- ✓ Safety
- ✓ Comfort
- ✓ Durability
- ✓ Dust reduction
- ✓ With accessories



## Technical specifications

EAN code <b>8020584084977</b>	Axle <b>Rear</b>	Thickness <b>15 mm</b>
Width <b>79 mm</b>	Height <b>59 mm</b>	Braking system <b>Sumitomo</b>
Wear indicator <b>Acoustic</b>	WVA number <b>23594,23593,23595</b>	Accessories <b>With anti-squeal shim</b>



COMPATIBLE VEHICLES

## COMPATIBLE OE PART NUMBERS

4605A783	mitsubishi
4605B291	mitsubishi
MN102626	mitsubishi
MR307415	mitsubishi
MR389575	mitsubishi
MZ690027	mitsubishi
MZ690047	mitsubishi
4605B291	mitsubishi (GAC)