



BRAKE PAD PRIME CERAMIC P65008N

The P65008N NAO brake pad is synonymous with reliability

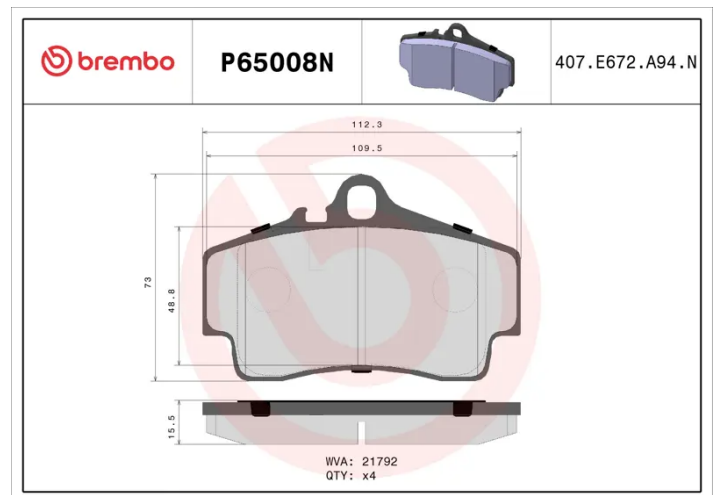
Brembo NAO brake pads stand out for their ultimate braking comfort, reduced friction wear and low dust mission, which makes for cleaner rims and reduced maintenance requirements. The advanced friction material in keeping with the strictest environmental standards is the main distinguishing feature of NAO compounds.

- ✓ OE-equivalent
- ✓ Brembo quality
- ✓ Safety
- ✓ Comfort
- ✓ Durability
- ✓ Dust reduction
- ✓ With accessories



Technical specifications

EAN code 8020584099339	Axle Rear	Thickness 16 mm
Width 112 mm	Height 73 mm	Braking system Brembo
Wear indicator Prepared for wear indicator	WVA number 21792	Accessories With anti-squeal shim



COMPATIBLE VEHICLES

COMPATIBLE OE PART NUMBERS

98635293910 PORSCHE

98635293911 PORSCHE

98735293900 PORSCHE

99635293000 PORSCHE

99635293003 PORSCHE

99635293900 PORSCHE

99635293902 PORSCHE

99635293903 PORSCHE

99635298000 PORSCHE
