



BRAKE PAD PRIME CERAMIC P83134N

**The P83134N NAO brake pad is
synonymous with reliability**

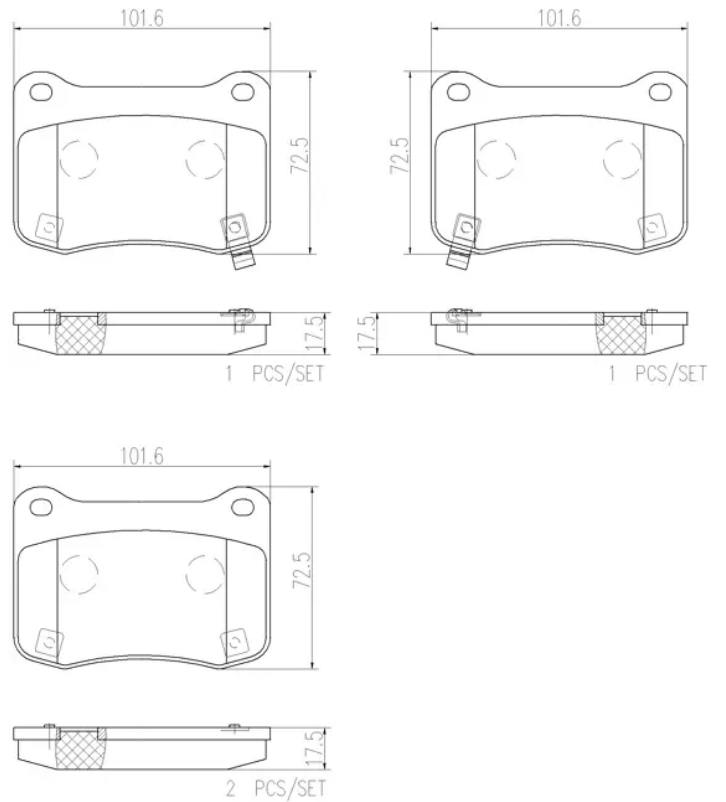


Brembo NAO brake pads stand out for their ultimate braking comfort, reduced friction wear and low dust mission, which makes for cleaner rims and reduced maintenance requirements. The advanced friction material in keeping with the strictest environmental standards is the main distinguishing feature of NAO compounds.

- ✓ OE-equivalent
- ✓ Brembo quality
- ✓ Safety
- ✓ Comfort
- ✓ Durability
- ✓ Dust reduction
- ✓ With accessories

Technical specifications

EAN code 8020584083529	Axle Rear	Thickness 18 mm
Width 102 mm	Height 73 mm	Braking system Brembo
Wear indicator Acoustic	WVA number 24401,24402,25152	Accessories With anti-squeal shim



COMPATIBLE VEHICLES

COMPATIBLE OE PART NUMBERS

044660W030	LEXUS
044660W031	LEXUS