

Pads technical data

Axle
Front

WWA
24711, 24712, 24713

Width
189,7 - 147,6 mm

Thickness
16,2 - 13,7 mm

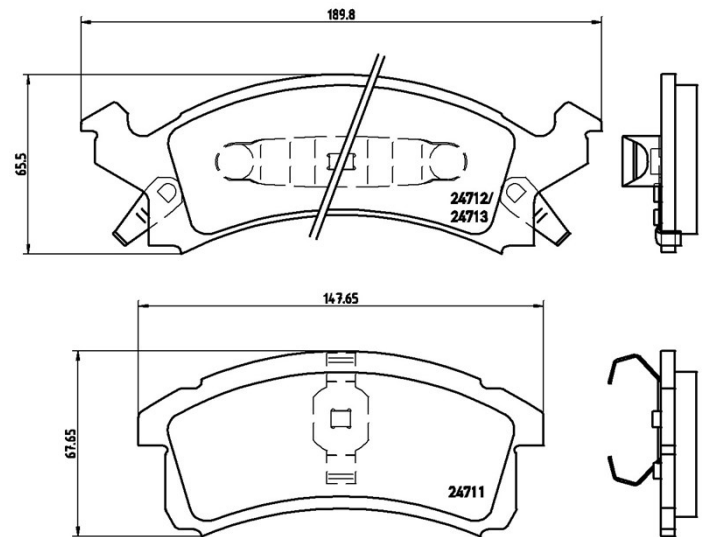
Height
65,0 - 65,6 mm

Braking system
Kelsey Hayes

Features

Wear indicator
Acoustic

EA NCode
8020584090367



Compatible vehicles

BUICK				
Model	Type	Kw	Year	
SKYLARK	2.3	119	09/89 12/91	
SKYLARK	3.3 V6	119	09/89 12/91	
SKYLARK	2.3	90	10/93 09/94	
SKYLARK	2.3 Limited	86	09/92 09/93	
SKYLARK	3.1	117	01/94 12/99	
SKYLARK	3.3	119	09/91 12/93	
CHEVROLET				
Model	Type	Kw	Year	
BERETTA Coupe (1_37)	2.2	71	01/91 12/96	
BERETTA Coupe (1_37)	2.2	82	10/91 09/92	

BERETTA Coupe (1_37)	2.2	87	10/92 09/96
BERETTA Coupe (1_37)	2.3	134	10/92 09/96
BERETTA Coupe (1_37)	2.3 16V	130	09/90 12/96
BERETTA Coupe (1_37)	3.1	104	09/89 12/93
BERETTA Coupe (1_37)	3.1 LT	103	10/92 09/93
BERETTA Coupe (1_37)	3.1 V6	104	04/87 12/96
CAVALIER Coupe	2.2	90	10/91 12/94
CAVALIER Coupe	3.1	87	09/89 12/94
CAVALIER Coupe	3.1	103	10/89 09/94
CAVALIER Saloon	2.2 RS	90	10/91 09/96
CORSICA (1_69)	2.2	71	01/90 12/91
CORSICA (1_69)	2.2	82	09/91 12/93
CORSICA (1_69)	2.3	134	10/89 09/92
CORSICA (1_69)	3.1	101	09/89 12/90
CORSICA (1_69)	3.1	106	10/89 09/92
CORSICA (1_69)	3.1	95	10/92 09/96
CORSICA (1_69)	3.1	110	10/92 09/96
CORSICA (1_69)	3.1	119	10/92 09/96

PONTIAC

Model	Type	Kw	Year
GRAND AM Coupe	3.1	119	01/94 12/97
GRAND AM Saloon	2.3	112	01/93 12/95
GRAND AM Saloon	3.3	119	09/91 12/93
SUNFIRE	2.2	90	06/94 10/98
SUNFIRE	2.2	86	11/98 10/02
SUNFIRE Coupe	2.2	90	06/94 10/98
SUNFIRE Coupe	2.2 SE	86	11/98 10/02
SUNFIRE Coupe	2.4	112	01/96 10/02

OE Part number

Compatible OE codes

CHEVROLET

12370005

CHEVROLET

12510005

PONTIAC

12510005
