

Pads P 11 012



Pads technical data

Axle
Front

WVA
23532,23533,23534

Width
124,2 mm

Thickness
20 mm

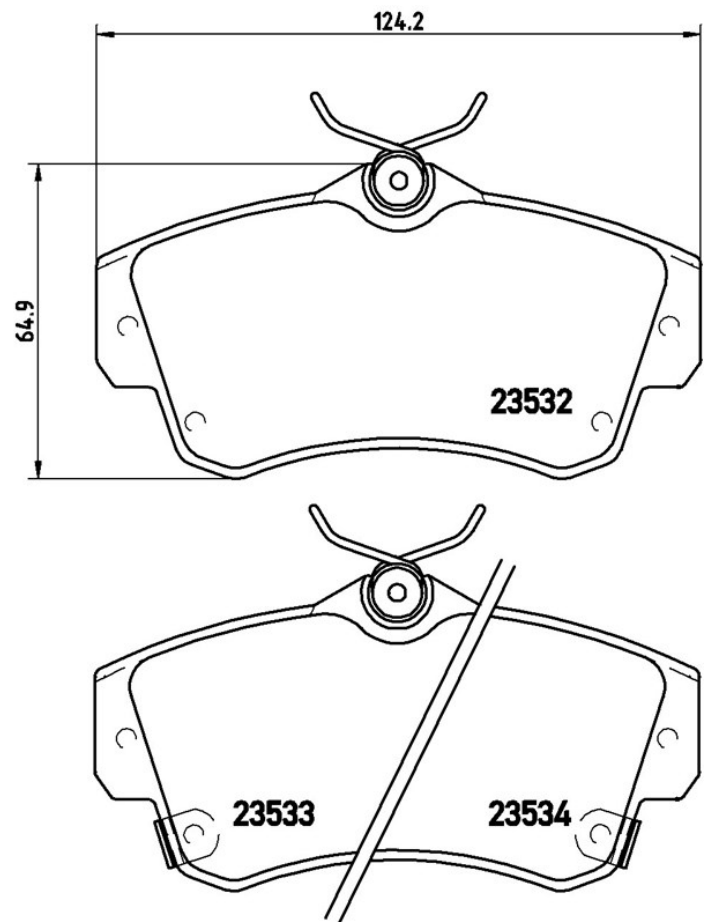
Height
64,9 mm

Braking system
Lucas

Features

Wear indicator
Acoustic

EANCode
8020584050491



Compatible vehicles

CHRYSLER

Model	Type	kW/CV	Year
PT CRUISER (PT_)	1.6	85/116	11/01 12/10
PT CRUISER (PT_)	2.0	104/141	06/00 09/04
PT CRUISER (PT_)	2.0	100/136	10/04 12/10
PT CRUISER (PT_)	2.2 CRD	89/121	03/02 12/10

PT CRUISER (PT_)	2.2 CRD	110/150	08/05 12/10
PT CRUISER (PT_)	2.4	110/150	06/00 12/10
PT CRUISER (PT_)	2.4	172/234	06/06 08/08
PT CRUISER (PT_)	2.4	105/143	08/05 12/10
PT CRUISER (PT_)	2.4	169/230	09/04 12/10
PT CRUISER (PT_)	GT 2.4	164/223	08/03 12/10
PT CRUISER Convertible	2.4	105/143	03/04 03/08
PT CRUISER Convertible	2.4 GT	164/223	03/04 03/08

OE Part number

Compatible OE codes

CHRYSLER	05017843AA
CHRYSLER	05083853AA
CHRYSLER	05083853AB
CHRYSLER	05086364AA
CHRYSLER	05086364AB
CHRYSLER	5017843AA
CHRYSLER	5083853AA
CHRYSLER	5083853AB
CHRYSLER	5086364AA
CHRYSLER	5086364AB
CHRYSLER	K05017843AA
CHRYSLER	K05083853AA
CHRYSLER	K05083853AB
CHRYSLER	K05086364AA
CHRYSLER	K05086364AB