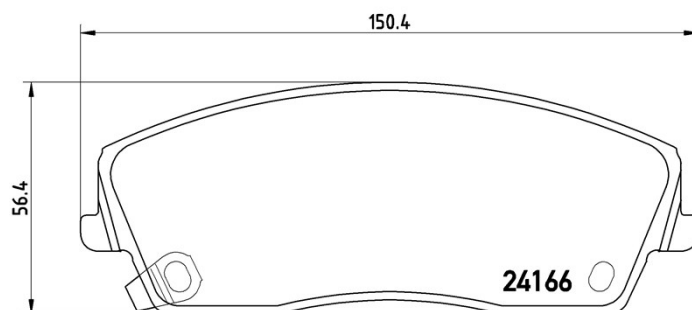


Pads technical data

Axle Front	WVA 24166
Width 150,4 mm	Thickness 18,8 mm
Height 56,4 mm	Braking system Bosch
Features	Wear indicator Acoustic



EA NCode
8020584060155



Compatible vehicles

CHRYSLER

Model	Type	Kw	Year
300C	3.0 CRD	176	09/11 -

DODGE

Model	Type	Kw	Year
CHALLENGER Coupe	3.5	186	09/08 12/10
CHALLENGER Coupe	3.6	227	01/11 -
CHALLENGER Coupe	5.7	280	01/10 -
CHALLENGER Coupe	5.7	277	09/08 -
CHARGER	2.7	141	04/06 12/10
CHARGER	3.5	186	06/05 12/10
CHARGER	5.7 RT	254	06/05 12/08

LANCIA

Model	Type	Kw	Year
THEMA (LX_)	3.0 D	140	09/11 10/14

THEMA (LX_)	3.0 D	176	09/11 10/14
-------------	-------	-----	-------------

THEMA (LX_)	3.6 4WD	210	09/11 10/14
-------------	---------	-----	-------------

OE Part number

Compatible OE codes

CHRYSLER	05142555AA
----------	------------

CHRYSLER	5142555AA
----------	-----------

CHRYSLER	K05142555AA
----------	-------------