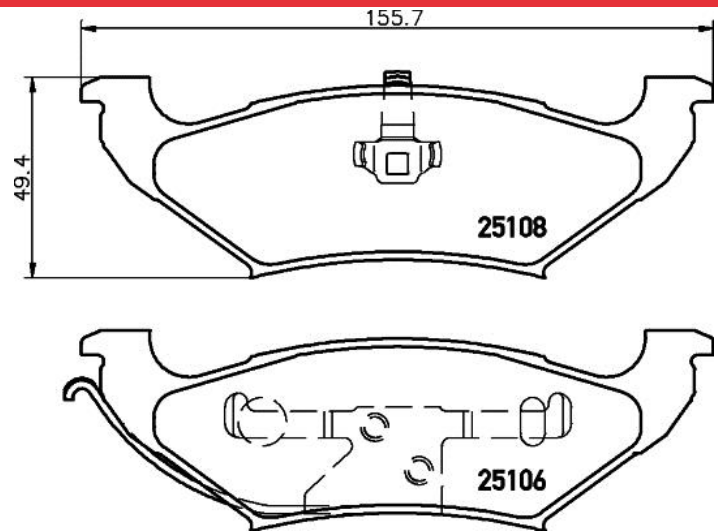


## Pads technical data

<b>Axle</b> Rear	<b>WWA</b> 25106, 25108
<b>Width</b> 155,7 mm	<b>Thickness</b> 15,9 mm
<b>Height</b> 49,4 mm	<b>Braking system</b> Kelsey Hayes
<b>Features</b>	<b>Wear indicator</b> Without

**EANCode**  
8020584080047



## Compatible vehicles

### CHRYSLER

Model	Type	Kw	Year
VOYAGER / GRAND VOYAGER III (GS)	2.0 i	98	01/95 03/01
VOYAGER / GRAND VOYAGER III (GS)	2.4 AWD	111	02/97 03/01
VOYAGER / GRAND VOYAGER III (GS)	2.4 i	111	01/95 03/01
VOYAGER / GRAND VOYAGER III (GS)	2.5 TD	85	01/95 03/01
VOYAGER / GRAND VOYAGER III (GS)	2.5 TDi AWD	85	10/95 03/01
VOYAGER / GRAND VOYAGER III (GS)	3.0	112	01/95 03/01
VOYAGER / GRAND VOYAGER III (GS)	3.3 i	116	01/95 03/01
VOYAGER / GRAND VOYAGER III (GS)	3.8 i AWD	122	01/95 03/01
VOYAGER / GRAND VOYAGER III (GS)	3.8 i AWD	131	01/95 03/01

### DODGE

Model	Type	Kw	Year
CARAVAN	2.0 i	98	01/95 03/01
CARAVAN	2.4 i	111	01/95 03/01
CARAVAN	2.5 TD	85	01/95 03/01
CARAVAN	3.0	112	01/95 06/00
CARAVAN	3.3 i	116	01/95 03/01
CARAVAN	3.8 i	122	01/95 03/01

CARAVAN	3.8 i	131	01/95 03/01
CARAVAN	3.8 i AWD	122	01/95 03/01
CARAVAN	3.8 i AWD	131	01/95 03/01

## PLYMOUTH

Model	Type	Kw	Year
VOYAGER / GRAND VOYAGER	2.0 i	98	01/95 03/01
VOYAGER / GRAND VOYAGER	2.4 i	111	01/95 03/01
VOYAGER / GRAND VOYAGER	2.5 TD	85	01/95 03/01
VOYAGER / GRAND VOYAGER	3.0	112	01/95 03/01
VOYAGER / GRAND VOYAGER	3.3 Flex-Fuel	116	01/98 03/01
VOYAGER / GRAND VOYAGER	3.3 i	116	01/95 03/01
VOYAGER / GRAND VOYAGER	3.8 i	122	01/95 03/01
VOYAGER / GRAND VOYAGER	3.8 i	131	01/95 03/01
VOYAGER / GRAND VOYAGER	3.8 i AWD	122	01/95 03/01
VOYAGER / GRAND VOYAGER	3.8 i AWD	131	01/95 03/01

## OE Part number

### Compatible OE codes