

Pads P 11 040

Pads technical data

Axle
Rear

WVA
22209

Width
101,5 mm

Thickness
17,8 mm

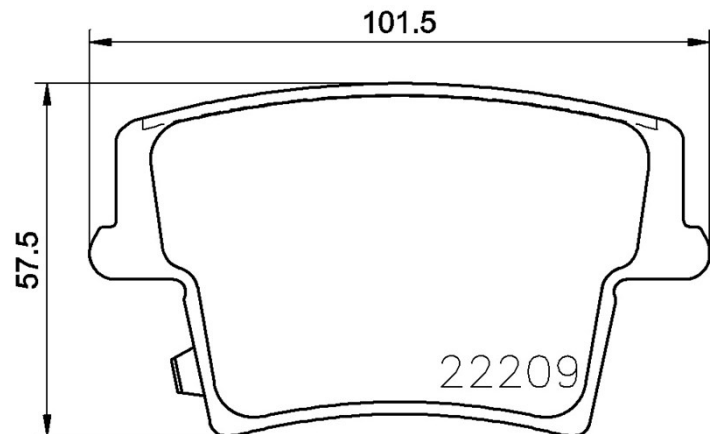
Height
57,5 mm

Braking system

Features
With accessories

Wear indicator
Acoustic

EANCode
8020584081143



Compatible vehicles

CHRYSLER

Model	Type	Kw	Year
300C	6.4	347	09/11 -

DODGE

Model	Type	Kw	Year
CHALLENGER Coupe	3.6 Flexfuel	227	09/10 -
CHALLENGER Coupe	6.1 SRT8	313	01/08 -
CHALLENGER Coupe	6.1 SRT8	317	09/07 -
CHALLENGER Coupe	6.4	361	09/14 -
CHALLENGER Coupe	6.4 SRT8	351	01/11 -

CHALLENGER Coupe	6.4 SRT8	346	08/11 -
CHARGER	3.6	215	06/12 -
CHARGER	3.6	218	09/11 12/14
CHARGER	3.6 AWD	218	01/11 12/14
CHARGER	5.7	272	06/12 -
CHARGER	5.7 Flexfuel AWD	276	11/11 -
CHARGER	5.7 R/T	276	09/11 -
CHARGER	5.7 R/T AWD	276	09/11 -
CHARGER	6.2 SRT Hellcat	527	09/14 -
CHARGER	6.4 SRT8	351	09/11 -
CHARGER	6.4 SRT8	362	09/14 -
MAGNUM Estate	3.5	187	09/04 12/08
MAGNUM Estate	5.7 R/T	254	09/04 12/08
MAGNUM Estate	5.7 R/T AWD	254	09/04 12/08

OE Part number

Compatible OE codes

CHRYSLER	05142560AA
CHRYSLER	05142560AB
CHRYSLER	5142560AA
CHRYSLER	5142560AB
CHRYSLER	K5142560AA
CHRYSLER	K5142560AB