

Pads technical data

Axle
Rear

WWA
23627, 23628, 23629, 23630

Width
140,3 mm

Thickness
15 mm

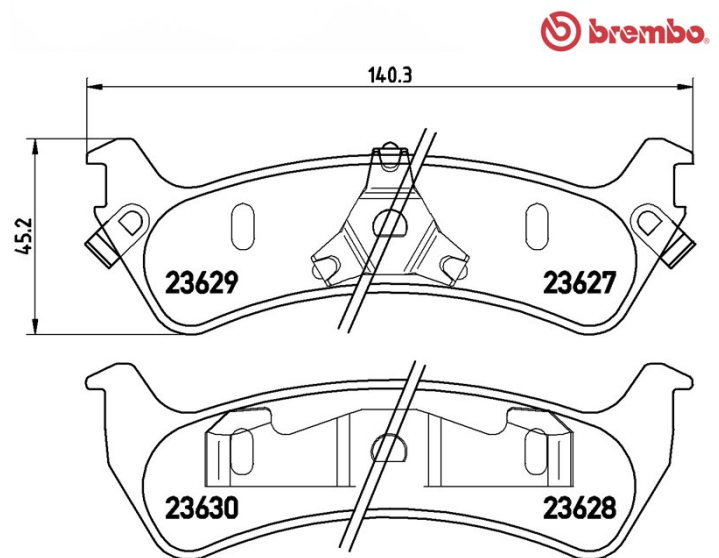
Height
45,2 mm

Braking system
Kelsey Hayes

Features

Wear indicator
Acoustic

EANCode
8020584052143



Compatible vehicles

FORD AUSTRALIA

Model	Type	Kw	Year
EXPLORER (U_)	4.0 (UN, UP)	119	10/96 10/01
EXPLORER (U_)	4.0 (UN, UP, UQ, US)	152	09/96 10/01

FORD USA

Model	Type	Kw	Year
EXPLORER (U2)	4.0	152	09/96 08/02
EXPLORER (U2)	4.0	150	10/99 08/02
EXPLORER (U2)	4.0 4WD	150	10/99 12/01
EXPLORER (U2)	4.0 V6 4WD	115	03/95 12/01
EXPLORER (U2)	4.0 V6 4WD	152	10/96 12/01
EXPLORER (U2)	4.0 V6 4WD	150	10/98 12/01

EXPLORER (U2)	4.0 V6 4WD	119	11/94 12/01
EXPLORER (U2)	5.0 4WD	157	01/96 12/01
EXPLORER (U2)	5.0 4WD	160	09/97 12/01
EXPLORER (UN46)	4.0 V6 4WD	121	01/93 12/94

OE Part number

Compatible OE codes

FORD	XL2Z2200AA
FORD USA	3648797
FORD USA	F5TZ2200A
FORD USA	XL2Z2200BA