

## Pads technical data

**Axle**  
Front

**WVA**  
21526, 21527, 21528

**Width**  
137 mm

**Thickness**  
17 mm

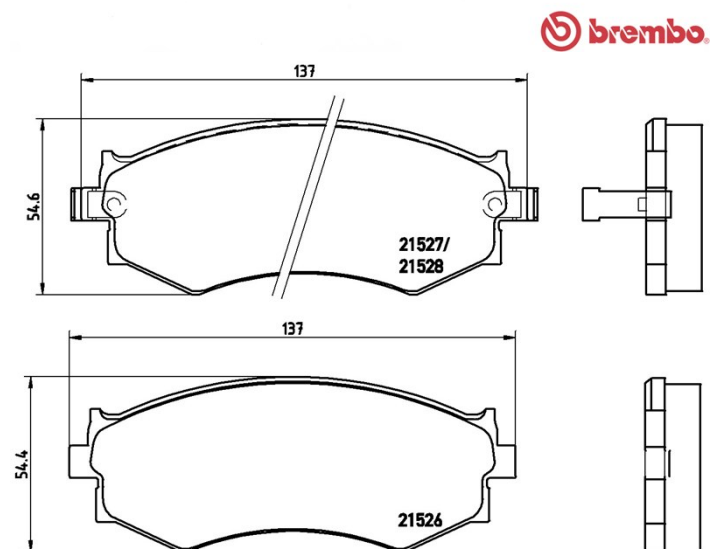
**Height**  
54,4 - 54,6 mm

**Braking system**  
Akebono

**Features**

**Wear indicator**  
Acoustic

**EANCode**  
8020584052723



## Compatible vehicles

### FORD AUSTRALIA

| Model                  | Type  | Kw | Year        |
|------------------------|-------|----|-------------|
| CORSAIR Hatchback (UA) | 2.4 i | 96 | 10/89 09/92 |
| CORSAIR Saloon (UA)    | 2.4 i | 96 | 10/89 09/92 |

### INFINITI

| Model | Type | Kw | Year        |
|-------|------|----|-------------|
| G20   | 2.0  | 85 | 01/90 12/97 |

### NISSAN

| Model        | Type      | Kw  | Year        |
|--------------|-----------|-----|-------------|
| 200 SX (S13) | 1.8       | 99  | 09/88 03/94 |
| 200 SX (S13) | 1.8 Turbo | 124 | 07/88 11/93 |
| 200 SX (S13) | 2.0 i 16V | 103 | 07/88 11/93 |

|                         |           |     |             |
|-------------------------|-----------|-----|-------------|
| 240 SX                  | 2.4       | 104 | 09/88 12/90 |
| PRAIRIE PRO (M11)       | 2.0       | 85  | 03/89 08/90 |
| PRAIRIE PRO (M11)       | 2.0       | 77  | 09/90 03/92 |
| PRAIRIE PRO (M11)       | 2.0       | 66  | 10/89 03/92 |
| PRAIRIE PRO (M11)       | 2.0 4x4   | 85  | 03/89 08/90 |
| PRAIRIE PRO (M11)       | 2.0 4x4   | 77  | 09/90 03/92 |
| PRAIRIE PRO (M11)       | 2.0 4x4   | 66  | 10/89 03/92 |
| PRAIRIE PRO (M11)       | 2.0 i     | 72  | 10/88 04/92 |
| PRAIRIE PRO (M11)       | 2.0 i 4x4 | 72  | 10/88 12/92 |
| PRAIRIE PRO (M11)       | 2.4 i     | 98  | 01/90 07/94 |
| PRAIRIE PRO (M11)       | 2.4 i 4x4 | 98  | 04/92 07/94 |
| PRIMERA Traveller (W10) | 1.6 i     | 75  | 02/91 03/98 |
| PRIMERA Traveller (W10) | 1.6 i     | 66  | 07/90 03/98 |
| PRIMERA Traveller (W10) | 2.0       | 110 | 07/94 01/98 |
| PRIMERA Traveller (W10) | 2.0 D     | 55  | 07/90 12/95 |
| PRIMERA Traveller (W10) | 2.0 i     | 85  | 07/90 03/98 |
| SENTRA V (B15)          | 1.8       | 88  | 01/00 08/06 |
| SENTRA V (B15)          | 1.8       | 93  | 01/00 08/06 |
| <b>NISSAN (DFAC)</b>    |           |     |             |
| Model                   | Type      | Kw  | Year        |
| BLUEBIRD (G10)          | 2.0       | 107 | 04/00 12/06 |

## OE Part number

### Compatible OE codes

|         |            |
|---------|------------|
| HYUNDAI | 5810133A00 |
| HYUNDAI | 5810134A00 |
| NISSAN  | 410600E590 |
| NISSAN  | 4106015U90 |
| NISSAN  | 4106032R90 |
| NISSAN  | 4106032R91 |
| NISSAN  | 4106032R93 |
| NISSAN  | 4106032R94 |

|        |            |
|--------|------------|
| NISSAN | 410603J190 |
| NISSAN | 410603J191 |
| NISSAN | 4106044F91 |
| NISSAN | 4106044F92 |
| NISSAN | 410604Z090 |
| NISSAN | 4106064J93 |
| NISSAN | 4106065E90 |
| NISSAN | 4106065E91 |
| NISSAN | 4106065E92 |
| NISSAN | 410606J090 |
| NISSAN | 410606J091 |
| NISSAN | 410606T090 |
| NISSAN | 4106071E90 |
| NISSAN | 4106071E92 |
| NISSAN | 4106076L91 |
| NISSAN | 4106078E90 |
| NISSAN | 4106078E91 |
| NISSAN | 4106078J90 |
| NISSAN | 4106078J91 |
| NISSAN | 4106078N90 |
| NISSAN | 4106078N91 |
| NISSAN | 4106079E90 |
| NISSAN | 4106080N90 |
| NISSAN | 4106084L90 |
| NISSAN | 4106084L91 |
| NISSAN | 410608M190 |
| NISSAN | 41060G8190 |
| NISSAN | 41060G8191 |
| NISSAN | 41060G8192 |
| NISSAN | 41060G8193 |
| NISSAN | 41060ZG025 |

|        |            |
|--------|------------|
| NISSAN | AY040NS011 |
| NISSAN | AY040NS031 |
| NISSAN | AY040NS046 |
| NISSAN | AY040NS047 |
| NISSAN | AY040NS052 |
| NISSAN | AY040NS075 |
| NISSAN | AY040NS804 |
| NISSAN | AY040NS830 |
| NISSAN | AY040NS839 |
| NISSAN | AY040NS913 |
| NISSAN | AY040NS914 |
| NISSAN | AY040NS915 |
| NISSAN | AY040NS916 |
| NISSAN | D10606J091 |
| NISSAN | D1060G8190 |
| NISSAN | D106M65E91 |
| NISSAN | D106M65E92 |
| NISSAN | D106M80N90 |
| NISSAN | D106MG8190 |
| NISSAN | D106MS2525 |