



BRAKE PAD

P 30 031

The P 30 031 brake pad is synonymous with reliability

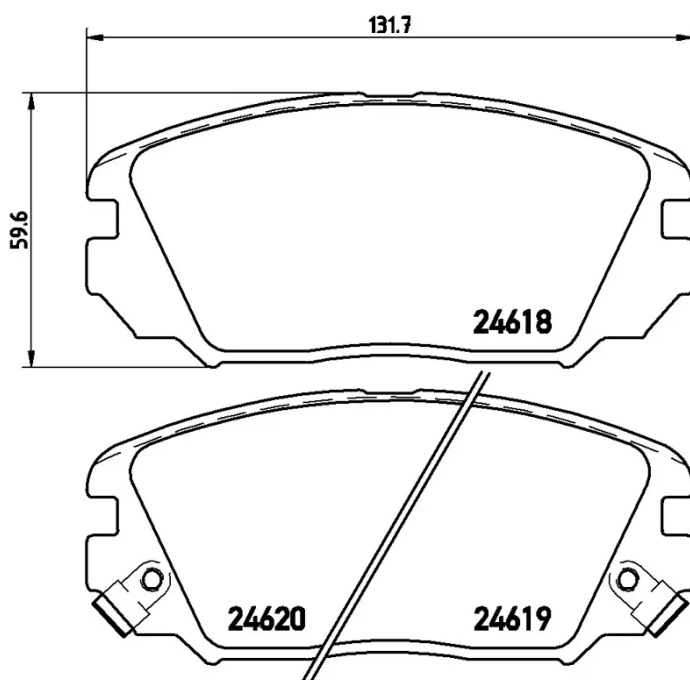
The Brembo brake pad guarantees ultimate safety when braking thanks to the use of more than 100 different compounds, designed according to the type of vehicle and use. Stopping distances reduced to a minimum, maximum driving comfort and silent operation are the most important features of Brembo materials. Brembo brake pads are supplied together with an extensive range of accessories and assembly kits for professional-standard installation.

- ✓ OE-equivalent
- ✓ Brembo quality
- ✓ ECE-R90 certificate
- ✓ Safety
- ✓ Performance
- ✓ Comfort
- ✓ With accessories



Technical specifications

EAN code	Axle	Thickness
8020584060698	Front	18 mm
Width	Height	Braking system
132 mm	60 mm	Mando
Wear indicator	WVA number	Accessories
Acoustic	24618,24619,24620	With accessories With anti-squeal shim



COMPATIBLE OE PART NUMBERS

581013KA31 HYUNDAI

581013LA20 HYUNDAI
