

Pads P 30 053



Pads technical data

Axle
Front

WVA
25365, 25366, 25367

Width
111 mm

Thickness
16,6 mm

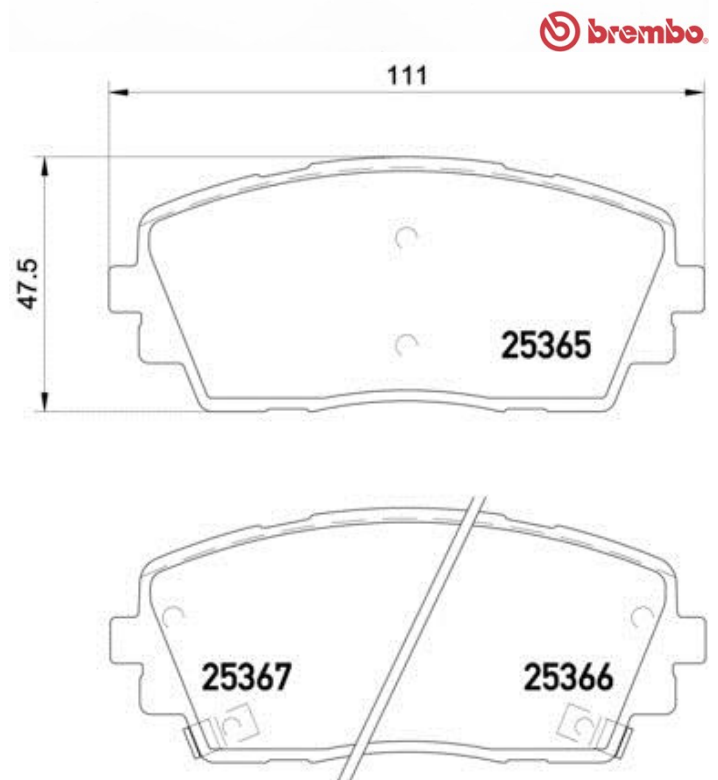
Height
47,5 mm

Braking system
Mando

Features

Wear indicator
Acoustic

EA NCode
8020584103104



Compatible vehicles

DODGE				
Model	Type	Kw	Year	
i 10	1.1	49	09/11 -	

KIA				
Model	Type	Kw	Year	
PICANTO (SA)	1.0	45	04/04 -	
PICANTO (SA)	1.0	46	09/07 -	
PICANTO (SA)	1.1	48	04/04 -	
PICANTO (SA)	1.1 CRDi	55	11/05 -	

PICANTO (TA)	1.0	49	04/15 -
PICANTO (TA)	1.0	51	05/11 -
PICANTO (TA)	1.0 Bi-Fuel	60	05/11 -
PICANTO (TA)	1.0 LPG	49	08/13 -
PICANTO (TA)	1.2	63	09/11 -
PICANTO Hatchback Van	1.0	57	11/14 -
RAY	1.0	57	11/11 -
RAY	1.0 LPG	57	11/11 -
RAY	1.0 TCI	78	11/11 -

OE Part number

Compatible OE codes

HYUNDAI	581011YA30
KIA	581011YA00
KIA	581011YA30
KIA	581011YA35
KIA	581011YA45
KIA	58101E2A00