

BRAKE PAD P 30 113

The P 30 113 brake pad is synonymous with reliability

The Brembo brake pad guarantees ultimate safety when braking thanks to the use of more than 100 different compounds, designed according to the type of vehicle and use. Stopping distances reduced to a minimum, maximum driving comfort and silent operation are the most important features of Brembo materials. Brembo brake pads are supplied together with an extensive range of accessories and assembly kits for professional-standard installation.

- ✓ OE-equivalent
- ✓ Brembo quality
- ✓ ECE-R90 certificate
- ✓ Safety
- ✓ Performance
- ✓ Comfort
- ✓ With accessories



Technical specifications

EAN code
8020584116500

Front

Thickness
17 mm

Width
132 mm

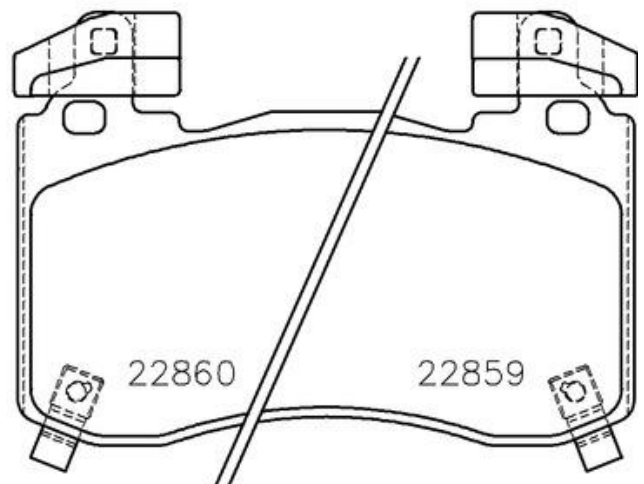
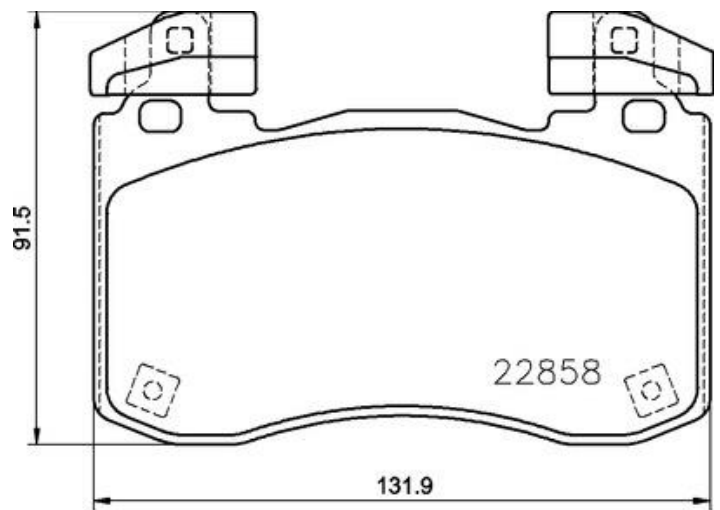
Height
92 mm

Braking system
Brembo

Wear indicator
Acoustic

WVA number
22858,22859,22860

Accessories
With accessories
With anti-squeal shim
With counterweights



COMPATIBLE VEHICLES

GENESIS

G70 (IK)	3.3 T-GDi	272/370	09/17
G70 (IK)	3.3 T-GDi HTRAC	272/370	09/17

KIA

STINGER (CK)	3.3 T-GDI	268/364	06/17
STINGER (CK)	3.3 T-GDI	272/370	06/17
STINGER (CK)	3.3 T-GDI	269/366	07/18
STINGER (CK)	3.3 T-GDi 4WD	272/370	06/17
STINGER (CK)	3.3 T-GDI 4WD	269/366	07/18
STINGER Hatchback Van (CK)	3.3 T-GDI	269/366	07/18
STINGER Hatchback Van (CK)	3.3 T-GDI 4WD	269/366	07/18

COMPATIBLE OE PART NUMBERS

58101J5A51	KIA
58101J5A55	KIA