

Pads P 37 010



Pads technical data

Axle
Front

WWA
24250, 24251, 24252

Width
175,8 mm

Thickness
18,6 mm

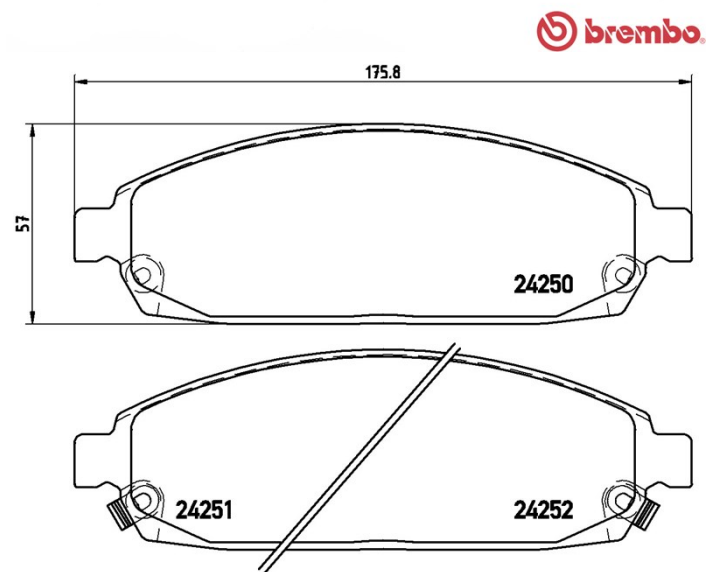
Height
57 mm

Braking system
Akebono

Features

Wear indicator
Acoustic

EANCode
8020584060896



Compatible vehicles

| JEEP | | | | |
|-----------------------------|-------------|-----|-------------|--|
| Model | Type | Kw | Year | |
| COMMANDER (XK, XH) | 3.0 CRD 4x4 | 160 | 04/06 12/10 | |
| COMMANDER (XK, XH) | 3.7 V6 4x4 | 157 | 09/05 12/10 | |
| COMMANDER (XK, XH) | 4.7 V8 4x4 | 170 | 09/05 12/10 | |
| COMMANDER (XK, XH) | 5.7 V8 4x4 | 240 | 09/05 12/10 | |
| GRAND CHEROKEE III (WH, WK) | 3.0 CRD | 160 | 06/05 12/10 | |
| GRAND CHEROKEE III (WH, WK) | 3.0 CRD 4x4 | 155 | 05/06 12/10 | |
| GRAND CHEROKEE III (WH, WK) | 3.0 CRD 4x4 | 160 | 06/05 12/10 | |
| GRAND CHEROKEE III (WH, WK) | 3.7 V6 | 157 | 10/04 12/10 | |
| GRAND CHEROKEE III (WH, WK) | 3.7 V6 4x4 | 148 | 01/08 12/10 | |
| GRAND CHEROKEE III (WH, WK) | 3.7 V6 4x4 | 157 | 10/04 12/10 | |

| | | | |
|-----------------------------|------------|-----|-------------|
| GRAND CHEROKEE III (MH, WK) | 4.7 V8 | 167 | 10/04 05/10 |
| GRAND CHEROKEE III (MH, WK) | 4.7 V8 4x4 | 164 | 06/05 12/10 |
| GRAND CHEROKEE III (MH, WK) | 4.7 V8 4x4 | 170 | 06/05 12/10 |
| GRAND CHEROKEE III (MH, WK) | 4.7 V8 4x4 | 223 | 09/07 02/10 |
| GRAND CHEROKEE III (MH, WK) | 4.7 V8 4x4 | 167 | 10/07 05/10 |
| GRAND CHEROKEE III (MH, WK) | 5.7 | 240 | 06/05 12/08 |
| GRAND CHEROKEE III (MH, WK) | 5.7 V8 4x4 | 265 | 01/09 12/10 |
| GRAND CHEROKEE III (MH, WK) | 5.7 V8 4x4 | 259 | 01/09 12/10 |
| GRAND CHEROKEE III (MH, WK) | 5.7 V8 4x4 | 240 | 06/05 12/10 |

OE Part number

Compatible OE codes

| | |
|------|-------------|
| JEEP | 05080868AA |
| JEEP | 05080868AB |
| JEEP | 05080868AC |
| JEEP | 5080868AA |
| JEEP | 5080868AB |
| JEEP | 5080868AC |
| JEEP | 68028967AA |
| JEEP | K05080868AA |
| JEEP | K05080868AB |
| JEEP | K05080868AC |