

Pads technical data

Axle
Front

WWA
25190,25191,25192

Width
194,3 - 193,1 mm

Thickness
21,3 mm

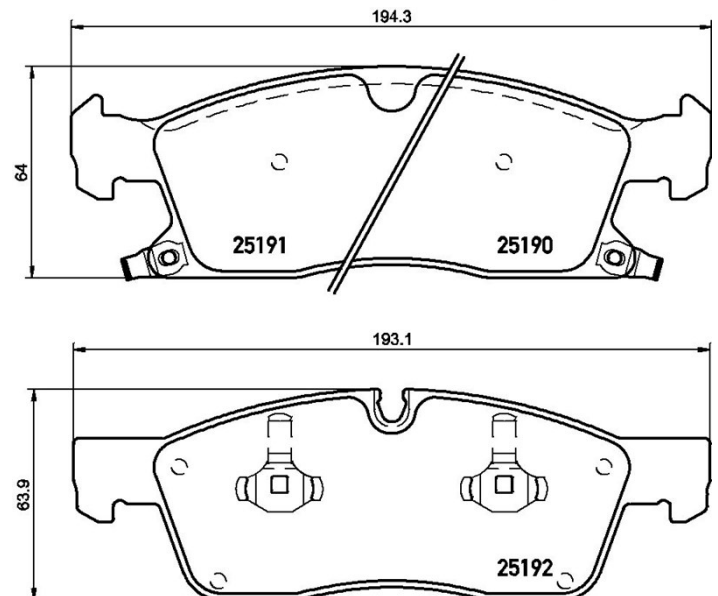
Height
63,9 - 64 mm

Braking system
Teves

Features

Wear indicator
Acoustic

EANCode
8020584103173



Compatible vehicles

JEEP

Model	Type	kW/CV	Year
GRAND CHEROKEE IV (WK, WK2)	3.0 4x4	175/238	09/14 -
GRAND CHEROKEE IV (WK, WK2)	3.0 CRD	179/243	09/13 -
GRAND CHEROKEE IV (WK, WK2)	3.0 CRD V6 4x4	160/218	01/11 -
GRAND CHEROKEE IV (WK, WK2)	3.0 CRD V6 4x4	140/190	02/11 -
GRAND CHEROKEE IV (WK, WK2)	3.0 CRD V6 4x4	177/241	02/11 -
GRAND CHEROKEE IV (WK, WK2)	3.0 CRD V6 4x4	184/250	07/13 -
GRAND CHEROKEE IV (WK, WK2)	3.0 TD V6 4x4	179/243	04/14 -
GRAND CHEROKEE IV (WK, WK2)	3.0 V6 4x4	172/234	06/13 -
GRAND CHEROKEE IV (WK, WK2)	3.6 V6	209/284	11/10 -

GRAND CHEROKEE IV (WK, WK2)	3.6 V6 4x4	207/281	11/10 -
GRAND CHEROKEE IV (WK, WK2)	3.6 V6 4x4	210/286	11/10 -
GRAND CHEROKEE IV (WK, WK2)	3.6 V6 FlexFuel 4x4	210/286	11/10 -
GRAND CHEROKEE IV (WK, WK2)	5.7 V8 4x4	259/352	11/10 -

OE Part number

Compatible OE codes

CHRYSLER	00K68052370AB
JEEP	00K68052370AA
JEEP	00K68052370AB
JEEP	68052370AA
JEEP	68052370AB