

## Pads technical data

**Axle**  
Front

**WVA**  
23397, 23399

**Width**  
155,1 - 156,3 mm

**Thickness**  
19,4 mm

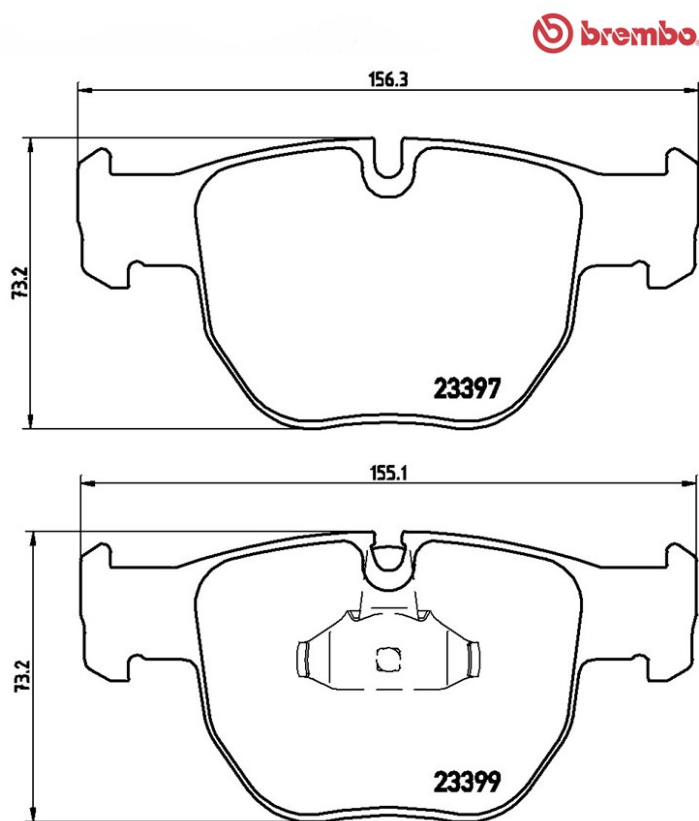
**Height**  
73,2 mm

**Braking system**  
Teves

**Features**  
With accessories

**Wear indicator**  
Prepared

**EANCode**  
8020584053355



## Compatible vehicles

### LAND ROVER

Model	Type	Kw	Year
RANGE ROVER III (L322)	3.0 D 4x4	130	03/02 08/12
RANGE ROVER III (L322)	4.4 4x4	210	03/02 08/05

## OE Part number

### Compatible OE codes

LAND ROVER	SFC000010
LAND ROVER	SFC500050

LAND ROVER

SFC500070

---

LAND ROVER

SFC500080

---

LAND ROVER

SFC500090

---