

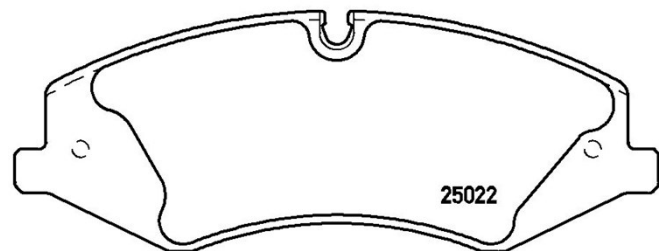
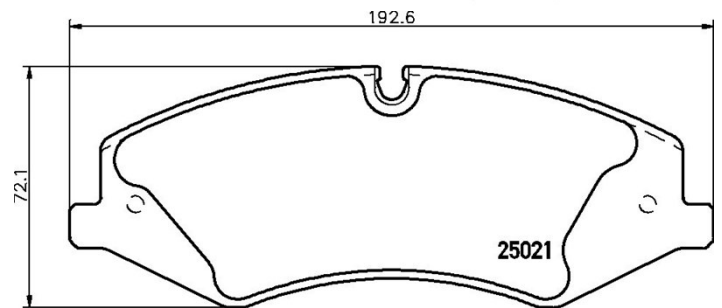
# Pads P 44 024



## Pads technical data

<b>Axle</b> Front	<b>WVA</b> 25021, 25022
<b>Width</b> 192,6 mm	<b>Thickness</b> 18,6 mm
<b>Height</b> 72,1 mm	<b>Braking system</b> TRW
<b>Features</b>	<b>Wear indicator</b> Prepared

**EANCode**  
8020584110126



## Compatible vehicles

### LAND ROVER

Model	Type	Kw	Year
RANGE ROVER III (L322)	3.6 D4x4	200	04/06 08/12

## OE Part number

### Compatible OE codes

LAND ROVER	LR015578
LAND ROVER	LR026221