



BRAKE PAD

P 49 036

The P 49 036 brake pad is synonymous with reliability

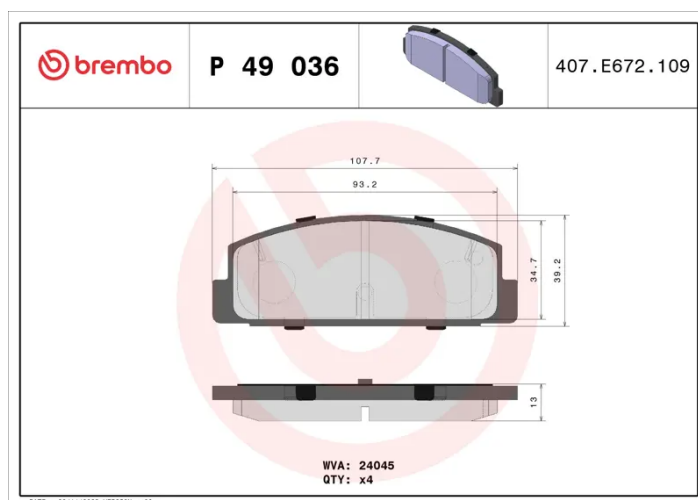
The Brembo brake pad guarantees ultimate safety when braking thanks to the use of more than 100 different compounds, designed according to the type of vehicle and use. Stopping distances reduced to a minimum, maximum driving comfort and silent operation are the most important features of Brembo materials. Brembo brake pads are supplied together with an extensive range of accessories and assembly kits for professional-standard installation.

- ✓ OE-equivalent
- ✓ Brembo quality
- ✓ ECE-R90 certificate
- ✓ Safety
- ✓ Performance
- ✓ Comfort



Technical specifications

EAN code 8020584060964	Axle Rear	Thickness 13 mm
Width 108 mm	Height 40 mm	Braking system Akebono
Wear indicator Without	WVA number 24045	Accessories With anti-squeal shim



COMPATIBLE VEHICLES

COMPATIBLE OE PART NUMBERS

GJYA2648ZH FAW

GGYB2643Z MAZDA

GGYM2643Z MAZDA

GGYM2648Z MAZDA

GGYM2648Z9C MAZDA

GGYM2648ZA9C MAZDA

GJYA2643Z MAZDA

GJYB2643Z MAZDA

GJYB2643ZA MAZDA

GJYB2648Z MAZDA

GJYB2648Z9C MAZDA

GJYB2648ZA MAZDA

GKYA2643Z MAZDA

GKYA2648Z MAZDA
