

Pads technical data

Axle
Front

WVA
21055

Width
95 mm

Thickness
17,9 mm

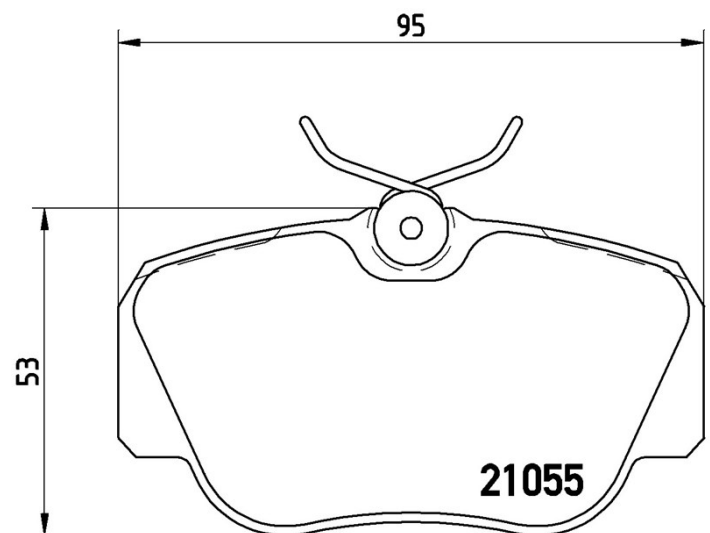
Height
52,95 mm

Braking system
Lucas

Features
With brake caliper screws

Wear indicator
Prepared

EANCode
8020584053836



Compatible vehicles

MERCEDES-BENZ

Model	Type	Kw	Year
190 (W201)	2.0 (201.022)	66	10/82 10/84
190 (W201)	2.0 (201.023)	75	01/86 05/90
190 (W201)	2.0 (201.023)	77	08/83 05/90
190 (W201)	2.3	97	09/87 09/88
190 (W201)	2.3 E	100	10/82 09/88
190 (W201)	2.6	118	10/82 09/88
190 (W201)	D 2.0 (201.122)	53	08/83 08/89
190 (W201)	D 2.0 (201.122)	55	08/89 08/93
190 (W201)	D 2.5 (201.126)	66	04/85 08/93
190 (W201)	D 2.5 (201.126)	69	08/89 08/93

190 (W201)	E 1.8 (201.018)	80	04/90 08/93
190 (W201)	E 2.0	87	01/85 08/93
190 (W201)	E 2.0	93	10/82 06/93
190 (W201)	E 2.0 (201.024)	83	02/85 12/86
190 (W201)	E 2.0 (201.024)	85	02/85 12/86
190 (W201)	E 2.0 (201.024)	90	10/82 06/93
190 (W201)	E 2.3	97	09/86 08/91
190 (W201)	E 2.3 (201.028)	100	10/86 08/93
190 (W201)	E 2.6	122	09/86 12/89
190 (W201)	E 2.6 (201.029)	118	09/86 08/93
190 (W201)	Turbo-D 2.5 (201.128)	90	02/88 08/93
190 (W201)	Turbo-D 2.5 (201.128)	93	02/88 08/93

OE Part number

Compatible OE codes

MERCEDES-BENZ	0004208920
MERCEDES-BENZ	0004209120
MERCEDES-BENZ	0014201020
MERCEDES-BENZ	0014208120
MERCEDES-BENZ	0014209620
MERCEDES-BENZ	0024200220
MERCEDES-BENZ	A0004208920
MERCEDES-BENZ	A0004209120
MERCEDES-BENZ	A0014201020
MERCEDES-BENZ	A0014208120
MERCEDES-BENZ	A0014209620
MERCEDES-BENZ	A0024200220