

Pads technical data

Axle
Front

WVA
21670

Width
156,4 - 155,2 mm

Thickness
20,3 mm

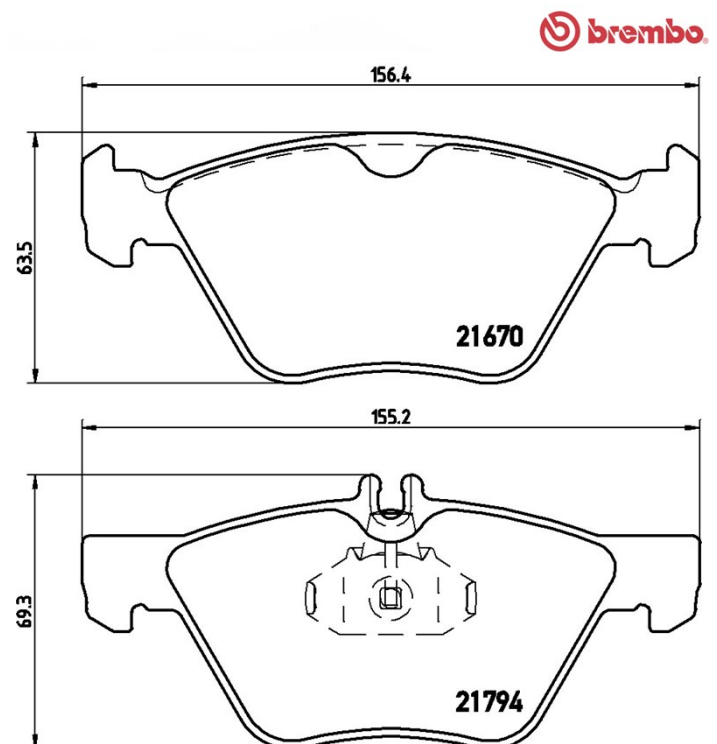
Height
63,5 - 69,3 mm

Braking system
Teves

Features

Wear indicator
Prepared

EANCode
8020584053980



Compatible vehicles

CHRYSLER

Model	Type	Kw	Year
CROSSFIRE	3.2	160	07/03 12/08
CROSSFIRE Roadster	3.2	160	05/04 12/08

MERCEDES-BENZ

Model	Type	Kw	Year
CLK (C208)	320 (208.365)	160	06/97 06/02
CLK (C208)	430 (208.370)	205	07/98 06/02
CLK Convertible (A208)	200 Kompressor (208.444)	120	06/00 03/02

CLK Convertible (A208)	200 Kompressor (208.445)	141	03/98 06/00
CLK Convertible (A208)	230 Kompressor (208.447)	142	03/98 06/00
CLK Convertible (A208)	230 Kompressor (208.448)	145	06/00 03/02
CLK Convertible (A208)	320 (208.465)	160	03/98 03/02
CLK Convertible (A208)	430 (208.470)	205	09/98 03/02
E-CLASS (W210)	E 200 Kompressor (210.045)	137	06/97 03/02
E-CLASS (W210)	E 240 (210.061)	125	06/97 08/00
E-CLASS (W210)	E 240 (210.062)	125	08/00 03/02
E-CLASS (W210)	E 270 CDI (210.016)	120	07/99 03/02
E-CLASS (W210)	E 270 CDI (210.016)	125	07/99 03/02
E-CLASS (W210)	E 280 (210.053)	142	01/96 06/97
E-CLASS (W210)	E 280 (210.063)	150	12/96 03/02
E-CLASS (W210)	E 280 4-matic (210.081)	150	12/96 03/02
E-CLASS (W210)	E 300 Turbo-D (210.025)	130	12/96 07/99
E-CLASS (W210)	E 320 (210.055)	162	06/95 06/97
E-CLASS (W210)	E 320 (210.065)	165	06/97 03/02
E-CLASS (W210)	E 320 4-matic (210.082)	165	06/97 03/02
E-CLASS (W210)	E 320 CDI (210.026)	145	07/99 03/02
E-CLASS (W210)	E 420 (210.072)	205	01/96 06/97
E-CLASS (W210)	E 430 (210.070)	205	06/97 03/02
E-CLASS T-Model (S210)	E 200 T Kompressor (210.245)	137	06/97 03/03
E-CLASS T-Model (S210)	E 220 T CDI (210.206)	100	05/99 03/03
E-CLASS T-Model (S210)	E 220 T CDI (210.206)	92	06/98 07/99
E-CLASS T-Model (S210)	E 220 T CDI (210.206)	105	07/99 03/03
E-CLASS T-Model (S210)	E 240 T (210.261)	125	06/97 03/03
E-CLASS T-Model (S210)	E 240 T (210.262)	125	08/00 03/03
E-CLASS T-Model (S210)	E 250 T D (210.210)	83	06/96 07/99
E-CLASS T-Model (S210)	E 270 T CDI	120	02/00 03/03
E-CLASS T-Model (S210)	E 270 T CDI (210.216)	125	07/99 03/03
E-CLASS T-Model (S210)	E 280 T (210.263)	150	12/96 03/03
E-CLASS T-Model (S210)	E 280 T 4-matic (210.281)	150	12/96 03/03

E-CLASS T-Model (S210)	E 290 T Turbo-D (210.217)	95	06/96 07/99
E-CLASS T-Model (S210)	E 300 T Turbo-D (210.225)	130	12/96 07/99
E-CLASS T-Model (S210)	E 320 T (210.265)	165	12/96 03/03
E-CLASS T-Model (S210)	E 320 T 4-matic (210.282)	165	12/96 03/03
E-CLASS T-Model (S210)	E 320 T CDI (210.226)	145	07/99 03/03
E-CLASS T-Model (S210)	E 420 T (210.272)	205	06/96 06/97
E-CLASS T-Model (S210)	E 430 T (210.270)	205	06/97 03/03
S-CLASS (W220)	S 350 4-matic (220.087, 220.187)	180	06/03 08/05
SLK (R170)	320 (170.465)	160	03/00 04/04

OE Part number

Compatible OE codes

CHRYSLER	00K05139218AB
CHRYSLER	05114555AA
CHRYSLER	05139218AA
CHRYSLER	5114555AA
CHRYSLER	5139218AA
MERCEDES-BENZ	0024204520
MERCEDES-BENZ	0024205020
MERCEDES-BENZ	0034202920
MERCEDES-BENZ	0034208320
MERCEDES-BENZ	0044200320
MERCEDES-BENZ	A0024204520
MERCEDES-BENZ	A0024205020
MERCEDES-BENZ	A0034202920
MERCEDES-BENZ	A0034208320
MERCEDES-BENZ	A0044200320