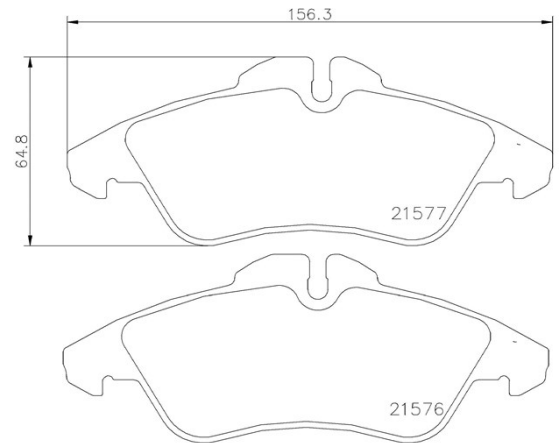


Pads P 50 029



Pads technical data

Axle	WVA
Width mm	Thickness mm
Height mm	Braking system Teves
Features	Wear indicator
EANCode 8020584054017	



Compatible vehicles

OE Part number

Compatible OE codes