



BRAKE PAD

P 50 038

The P 50 038 brake pad is synonymous with reliability



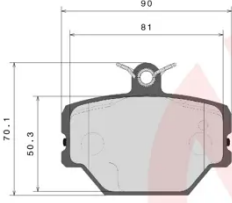
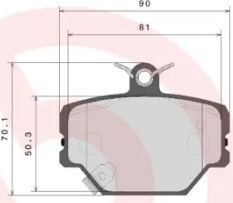
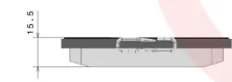
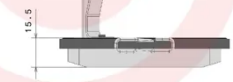
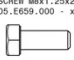
The Brembo brake pad guarantees ultimate safety when braking thanks to the use of more than 100 different compounds, designed according to the type of vehicle and use. Stopping distances reduced to a minimum, maximum driving comfort and silent operation are the most important features of Brembo materials. Brembo brake pads are supplied together with an extensive range of accessories and assembly kits for professional-standard installation.

- ✓ OE-equivalent
- ✓ Brembo quality
- ✓ ECE-R90 certificate
- ✓ Safety
- ✓ Performance
- ✓ Comfort
- ✓ With accessories

Technical specifications

EAN code 8020584054109	Axle Front	Thickness 16 mm
Width 90 mm	Height 70 mm	Braking system Bosch
Wear indicator Acoustic	WVA number 21999,23002	Accessories With accessories With anti-squeal shim With brake caliper bolts



	P 50 038		407.E672.602
			
			
WVA: 21999 QTY: x2		WVA: 23002 QTY: x2	
			 SCREW M8x1,25x21 05_E659-000 - x4
DATE : 17/07/2023 VERSION : 00			

COMPATIBLE VEHICLES

COMPATIBLE OE PART NUMBERS

0001431V0030000 CHRYSLER

0004200505 MERCEDES-BENZ

4514210010 MERCEDES-BENZ

A0004200505 MERCEDES-BENZ

A4514210010 MERCEDES-BENZ

0001431V002000000 SMART

0001431V003000000 SMART

0001431V004000000 SMART

4200505 SMART

4514210010 SMART

4514210110 SMART

4514210210 SMART

451421021064 SMART

A4514210010 SMART

A4514210110 SMART

A4514210210 SMART

C0001431V002 SMART

C0001431V002000000 SMART

Q0001431V004000000 SMART
