



BRAKE PAD

P 50 043

The P 50 043 brake pad is synonymous with reliability



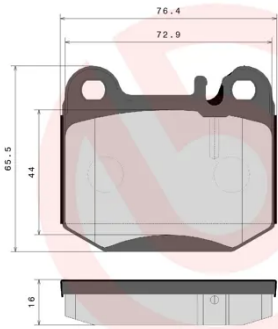

The Brembo brake pad guarantees ultimate safety when braking thanks to the use of more than 100 different compounds, designed according to the type of vehicle and use. Stopping distances reduced to a minimum, maximum driving comfort and silent operation are the most important features of Brembo materials. Brembo brake pads are supplied together with an extensive range of accessories and assembly kits for professional-standard installation.

- ✓ OE-equivalent
- ✓ Brembo quality
- ✓ ECE-R90 certificate
- ✓ Safety
- ✓ Performance
- ✓ Comfort



Technical specifications

EAN code 8020584054154	Axle Rear	Thickness 16 mm
Width 75 mm	Height 66 mm	Braking system Teves
Wear indicator Prepared for wear indicator	WVA number 23157	Accessories With anti-squeal shim

	P 50 043		407.E672.582
			
<p>WVA: 23157 QTY: x4</p>			
<small>DATE : 29/02/2024 VERSION : 00</small>			

COMPATIBLE VEHICLES

COMPATIBLE OE PART NUMBERS

1634200720 MERCEDES-BENZ

163420072037 MERCEDES-BENZ

1634200920 MERCEDES-BENZ

163420092027 MERCEDES-BENZ

1634201120 MERCEDES-BENZ

A1634200720 MERCEDES-BENZ

A163420072037 MERCEDES-BENZ

A1634200920 MERCEDES-BENZ

A163420092027 MERCEDES-BENZ

A1634201120 MERCEDES-BENZ
