

Pads technical data

Axle
Front

Width
131,6 mm

Height
69,8 mm

Features
With accessories
With brake caliper screws

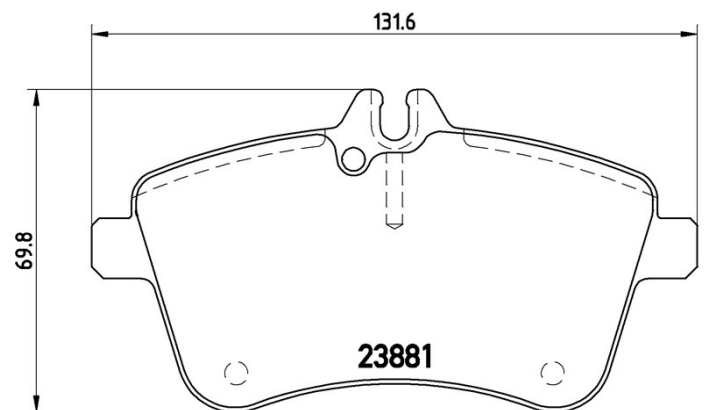
EANCode
8020584054291

WVA
23881

Thickness
20,1 mm

Braking system
Lucas

Wear indicator
Prepared



Compatible vehicles

MERCEDES-BENZ

Model	Type	Kw	Year
A-CLASS (W169)	A 200 CDI (169.008, 169.308)	103	09/04 06/12
A-CLASS (W169)	A 200 CDI (169.308, 169.008)	100	09/04 06/12
A-CLASS (W169)	A 200 TURBO (169.034, 169.334)	142	09/05 06/12
A-CLASS (W169)	E-CELL (169.090)	50	12/10 06/12
B-CLASS (W245)	B 170 NGT (245.233)	85	04/08 11/11
B-CLASS (W245)	B 180 CDI (245.207)	80	03/05 11/11
B-CLASS (W245)	B 180 NGT (245.233)	85	04/08 11/11
B-CLASS (W245)	B 200 (245.233)	100	03/05 11/11
B-CLASS (W245)	B 200 CDI (245.208)	100	03/05 11/11
B-CLASS (W245)	B 200 CDI (245.208)	103	03/05 11/11
B-CLASS (W245)	B 200 TURBO (245.234)	142	03/05 11/11

OE Part number

Compatible OE codes

MERCEDES-BENZ	1694200120
MERCEDES-BENZ	1694200820
MERCEDES-BENZ	169420082028
MERCEDES-BENZ	1694201220
MERCEDES-BENZ	1694201920
MERCEDES-BENZ	A1694200120
MERCEDES-BENZ	A1694200820
MERCEDES-BENZ	A169420082028
MERCEDES-BENZ	A1694201220
MERCEDES-BENZ	A1694201920