

Pads  
P 50 075



## Pads technical data

---

**Axle**

Front

**WWA**

21670, 24722, 24723

**Width**

155,1 - 156,5 mm

**Thickness**

19 mm

**Height**

63,5 - 69,3 mm

**Braking system**

Teves

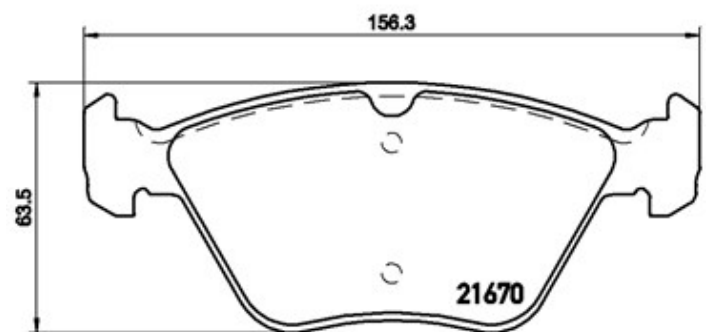
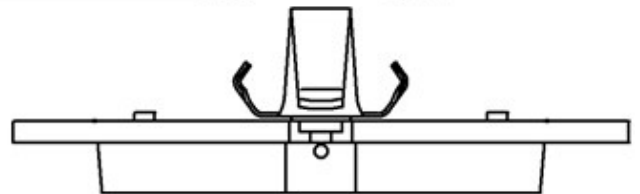
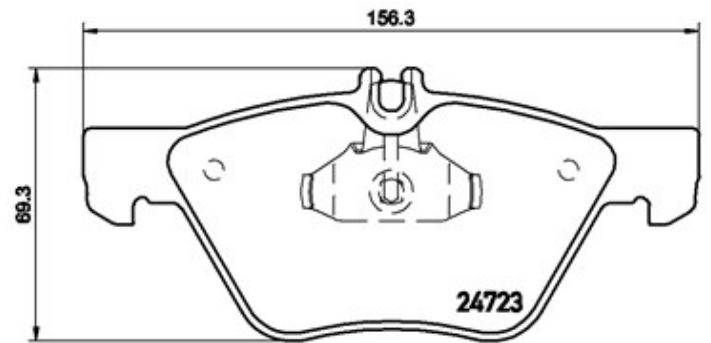
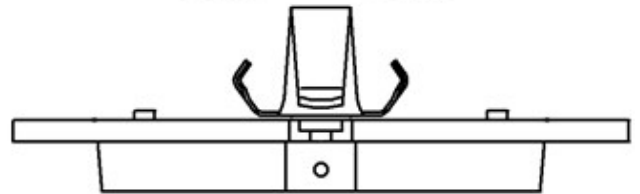
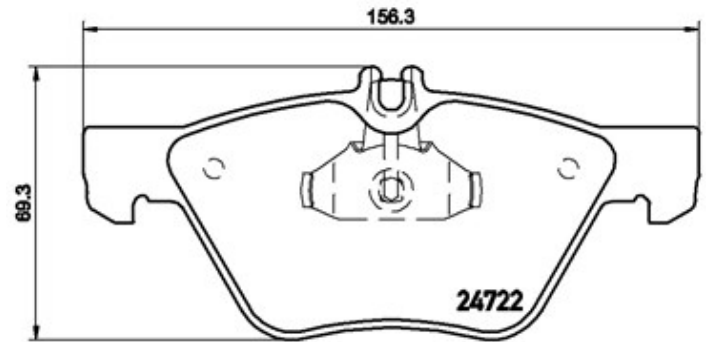
**Features**

**Wear indicator**

Prepared

**EANCode**

8020584061145



Compatible vehicles

**MERCEDES-BENZ**

Model	Type	Kw	Year
E-CLASS (W211)	E 240 4-matic (211.080)	130	03/03 12/08
E-CLASS (W211)	E 280 4-matic (211.092)	170	01/06 12/08
E-CLASS (W211)	E 280 CDI 4-matic (211.084)	140	03/05 12/08
E-CLASS (W211)	E 320 4-matic (211.082)	165	03/03 12/08
E-CLASS (W211)	E 320 CDI 4-matic (211.089)	165	03/05 12/08
E-CLASS (W211)	E 350 4-matic (211.087)	200	03/05 12/08
E-CLASS T-Model (S211)	E 240 T 4-matic (211.280)	130	07/03 07/09
E-CLASS T-Model (S211)	E 280 T 4-matic (211.292)	170	03/05 07/09
E-CLASS T-Model (S211)	E 280 T CDI 4-matic (211.284)	140	03/05 07/09
E-CLASS T-Model (S211)	E 320 T 4-matic (211.282)	165	07/03 07/09
E-CLASS T-Model (S211)	E 320 T CDI 4-matic (211.289)	165	03/05 07/09
E-CLASS T-Model (S211)	E 350 T 4-matic (211.287)	200	03/05 07/09
S-CLASS (W220)	S 350 4-matic (220.087, 220.187)	180	06/03 08/05

**OE Part number****Compatible OE codes**

MERCEDES-BENZ	0044200720
MERCEDES-BENZ	A0044200720