

## Pads technical data

**Axle**  
Rear

**WVA**  
23923, 23924

**Width**  
140,3 - 141,4 mm

**Thickness**  
18,0 mm

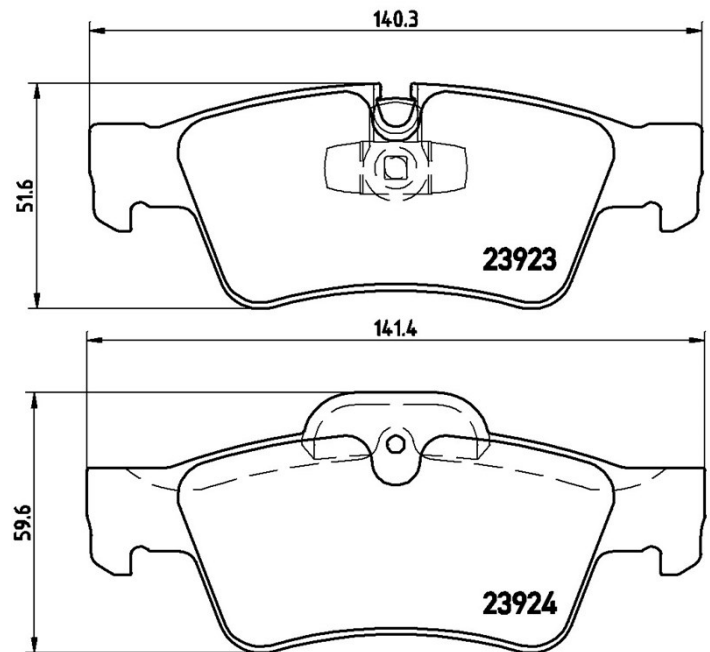
**Height**  
51,6 - 59,6 mm

**Braking system**  
Teves

**Features**

**Wear indicator**  
Prepared

**EANCode**  
8020584061152



## Compatible vehicles

### MERCEDES-BENZ

Model	Type	Kw	Year
M-CLASS (W164)	ML 280 CDI 4-matic (164.120)	140	07/05 07/09
M-CLASS (W164)	ML 300 4-matic (164.182)	170	03/10 -
M-CLASS (W164)	ML 300 CDI 4-matic (164.120)	140	07/09 12/11
M-CLASS (W164)	ML 300 CDI 4-matic (164.121)	150	02/10 12/11
M-CLASS (W164)	ML 320 CDI 4-matic	160	09/06 12/08
M-CLASS (W164)	ML 320 CDI 4-matic (164.122)	155	07/05 07/11
M-CLASS (W164)	ML 320 CDI 4-matic (164.122)	165	07/05 07/09
M-CLASS (W164)	ML 350 4-matic (164.186)	200	02/05 12/11
M-CLASS (W164)	ML 350 CDI 4-matic	157	09/09 12/10
M-CLASS (W164)	ML 350 CDI 4-matic	190	09/10 12/11
M-CLASS (W164)	ML 350 CDI 4-matic (164.122)	165	07/09 12/11
M-CLASS (W164)	ML 350 CDI 4-matic (164.125)	170	02/10 12/11
M-CLASS (W164)	ML 350 CDI 4-matic (164.125)	155	09/09 12/11
M-CLASS (W164)	ML 420 CDI 4-matic (164.128)	225	02/06 09/09
M-CLASS (W164)	ML 450 CDI 4-matic (164.128)	225	09/09 12/11
M-CLASS (W164)	ML 450 Hybrid 4-matic (164.195)	200	09/09 12/11

M-CLASS (W164)	ML 500 4-matic (164.172)	285	12/07 12/11
M-CLASS (W164)	ML 500 4-matic (164.175)	218	09/05 12/06
M-CLASS (W164)	ML 500 4-matic (164.175)	225	07/05 12/11
R-CLASS (W251, V251)	R 280 (251.054, 251.154)	170	01/07 -
R-CLASS (W251, V251)	R 280 4-matic (251.062)	170	05/07 -
R-CLASS (W251, V251)	R 280 CDI (251.121, 251.026, 251.126)	140	05/06 -
R-CLASS (W251, V251)	R 280 CDI 4-matic (251.020)	140	05/06 -
R-CLASS (W251, V251)	R 300 (251.054, 251.154)	170	07/09 -
R-CLASS (W251, V251)	R 300 CDI (251.021, 251.121, 251.026, 251.126)	140	07/09 -
R-CLASS (W251, V251)	R 300 CDI 4-matic (251.020)	140	07/09 -
R-CLASS (W251, V251)	R 320 CDI 4-matic	160	09/06 12/08
R-CLASS (W251, V251)	R 320 CDI 4-matic	157	09/08 12/09
R-CLASS (W251, V251)	R 320 CDI 4-matic (251.022, 251.122)	165	01/06 -
R-CLASS (W251, V251)	R 320 CDI 4-matic (251.125)	155	01/06 -
R-CLASS (W251, V251)	R 350 (251.056, 251.156)	200	01/07 -
R-CLASS (W251, V251)	R 350 4-matic (251.065, 251.165)	200	01/06 -
R-CLASS (W251, V251)	R 350 CDI 4-matic	157	09/09 12/12
R-CLASS (W251, V251)	R 350 CDI 4-matic (251.022, 251.122)	165	07/09 -
R-CLASS (W251, V251)	R 350 CDI 4-matic (251.023, 251.123)	195	08/10 -
R-CLASS (W251, V251)	R 350 CDI 4-matic (251.124, 251.125)	155	01/06 -
R-CLASS (W251, V251)	R 350 CGI 4-matic (251.057, 251.157)	225	01/06 -
R-CLASS (W251, V251)	R 500 4-matic	218	01/06 12/06
R-CLASS (W251, V251)	R 500 4-matic (251.072, 251.172)	285	01/07 -
R-CLASS (W251, V251)	R 500 4-matic (251.075, 251.175)	225	01/06 -

## OE Part number

### Compatible OE codes

MERCEDES-BENZ 0044205220

MERCEDES-BENZ 1644201520

MERCEDES-BENZ	1644201920
MERCEDES-BENZ	1644202720
MERCEDES-BENZ	A0044205220
MERCEDES-BENZ	A1644201520
MERCEDES-BENZ	A1644201920
MERCEDES-BENZ	A1644202720