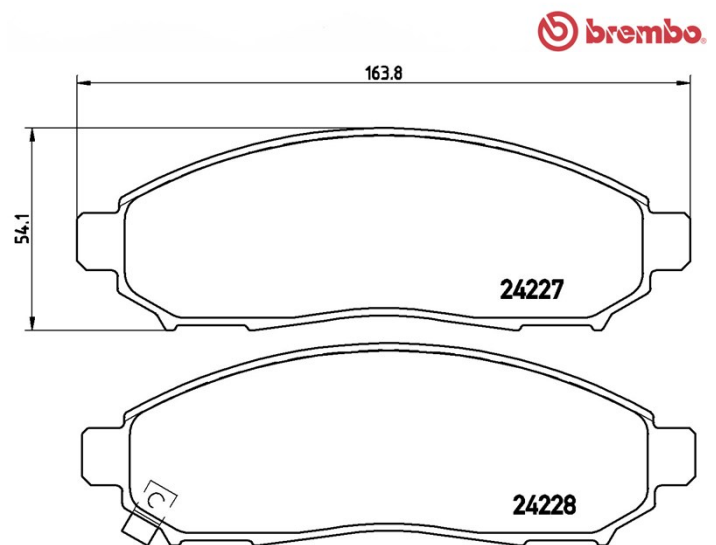


## Pads technical data

<b>Axle</b> Front	<b>WWA</b> 24227, 24228
<b>Width</b> 163,8 mm	<b>Thickness</b> 16,5 mm
<b>Height</b> 54,1 mm	<b>Braking system</b> Tokico
<b>Features</b>	<b>Wear indicator</b> Acoustic



**EA NCode**  
8020584061442



## Compatible vehicles

### NISSAN

Model	Type	Kw	Year
NP300 NAVARA (D40)	2.5 D	98	09/08 -
NP300 NAVARA (D40)	2.5 D 4WD	98	09/08 -
NP300 NAVARA (D40)	2.5 dCi	106	07/05 -
NP300 NAVARA (D40)	2.5 dCi	120	10/06 -
NP300 NAVARA (D40)	2.5 dCi	128	12/05 -
NP300 NAVARA (D40)	2.5 dCi 4WD	106	01/07 -
NP300 NAVARA (D40)	2.5 dCi 4WD	128	07/05 -
NP300 NAVARA (D40)	2.5 dCi 4WD	126	10/06 -
NP300 NAVARA (D40)	2.5 dCi 4WD (D40TT, D40T, D40M, D40BB)	140	12/09 -
NP300 NAVARA (D40)	3.0 dCi 4WD	170	02/10 -

NP300 NAVARA (D40)	4.0	192	01/11 -
NP300 NAVARA (D40)	4.0 4WD	192	01/11 -
NP300 NAVARA Platform/Chassis (D40)	2.5 dCi	140	03/10 -
NP300 NAVARA Platform/Chassis (D40)	2.5 dCi 4WD	106	08/08 -
NP300 NAVARA Platform/Chassis (D40)	2.5 dCi 4WD	126	08/08 -
PATHFINDER III (R51)	2.5 dCi	128	01/05 -
PATHFINDER III (R51)	2.5 dCi 4WD	120	01/05 -
PATHFINDER III (R51)	2.5 dCi 4WD	128	03/05 -
PATHFINDER III (R51)	2.5 dCi 4WD	140	08/10 -
PATHFINDER III (R51)	2.5 dCi 4WD	126	10/06 -
SERENA (C25)	2.0	108	04/05 11/10
SERENA (C25)	2.0 4x4	108	04/05 11/10
XTERRA (N50)	4.0	198	01/05 -
XTERRA (N50)	4.0 4x4	198	01/05 -
XTERRA (N50)	4.0 4x4	195	09/08 -

## SUZUKI

Model	Type	Kw	Year
LANDY (SC25)	2.0	102	01/07 12/09
LANDY (SC25)	2.0 4WD	96	01/07 12/09

## OE Part number

### Compatible OE codes

NISSAN	41060EA025
NISSAN	41060EB326
NISSAN	41060ZP025
NISSAN	AY040NS130
NISSAN	AY040NS137
NISSAN	AY040NS156
NISSAN	AY040NS163
NISSAN	AY040NS174
NISSAN	AY040NS175
NISSAN	DA060EB326

SUZUKI	5521050Z00
--------	------------

---

SUZUKI	5521050Z10
--------	------------

---

SUZUKI	5521050Z11
--------	------------

---

SUZUKI	5521082Z00
--------	------------

---

SUZUKI	5521082Z20
--------	------------

---

SUZUKI	5581051Z00
--------	------------

---

SUZUKI	5581051Z20
--------	------------

---